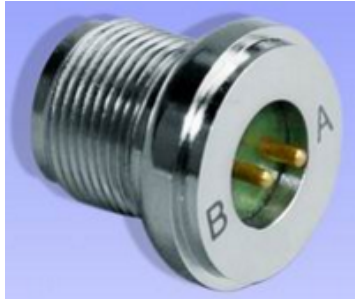


D109 Glass-sinter Sealed Circular Connector



Brief introduction

- Contacts:2pins
- Glass-sinter sealed
- Withstand high temperature and high voltage
- Application:oil exploration and other harsh environment application.
- Standard:E/SC-A(3)29-2006

Specification

- Withstand voltage $\geq 1200V_{rms}$
- Insulation resistance $\geq 5000M\Omega (500V_{dc})$
- Leakage: $1 \times 10^{-9} Pa \cdot m^3/S$
- Salt spray:96hours

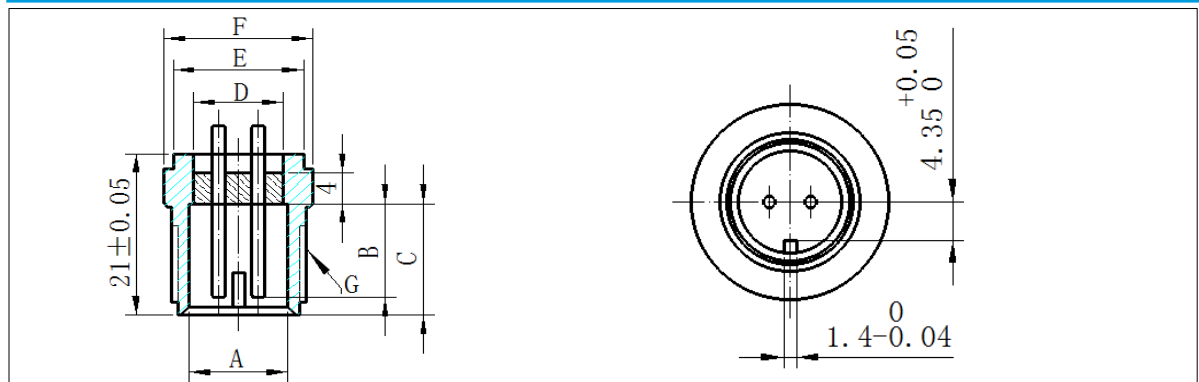
How to order

Sample Part Number	D109	-2	RI	S
Serial number: D109-Regular D109A-Small				
Contacts:2Pins				
Contact Type: RI- pin in receptacle				
Terminational type: S- Straight to PCB				

Material and Finish

Item	Material	Finish
Contacts	4J29 (alloy)	Gold plating over nickel
Shell	4J50 (Anti heat stainless steel)	
Insulator	Glass powder	

Outline dimension



Part Number	A	B	C	D	E	F	G
D109A-2RIS	11.52	12.2	14.5	10.5	15.25	17.4	5/8-24 UNEF-2A
D109-2RIS	11.52	12.2	14.5	10.5	19.95	22.23	5/8-24 UNEF-2A

Note: all dimensions are in mm.