



## Company Profile:

Sunkye International Co., Limited.(Connector) Business Group, with sixty five years of experience, specializes in designing and producing connectors, related components and cables. A wide range of connector products, twist pin connector, optical fiber connector, RF coaxial connector, separable connector, custom and application-

# *Company profile*

specific connector, etc, which are widely used in military area: aerospace, aviation, electrical, ship-building, defense system, etc and civil area: communication, telecom, automotive, rail, etc.

Design team focuses on meeting customers' requirement with continuous innovative technology, manufacture team provides high quality products by utilizing advanced equipments in standardized processes to ensure customers' benefits.

Sunkye is ISO 9001 certified, UL, VDE, CE certification passed, and ensures products quality by testing in realistic conditions with advanced test facilities, professional test employees.

Sunkye team is committed to offering high quality products, best service, prompt delivery and competitive price for you.



## Manufacture Equipment:

'JWF "YJT \$/\$ "(\*& &%. 40%\*\$, 8&9  
( 7FDUPS /FUXPSL "OBMZ[FST 7B  
NFOU &RVJQNFOU (MBTT TJOUSF  
JOH \$FOUFS )JHI 7FMPDJUZ 3BN .E  
BOE \$BENJVN 1MBUJOH 1SPEVDUJP  
\*OKFDUJPO .BDIJOF 5IFSNPQMBTU  
4XJTT "VUPNBUJD -BUIF FUD

## Test Facilities:

\$PNQSFIFOTJWF 5FTU \*OTUSVN  
)VNJEJUZ BOE 7JCSBUJPO &YQFS  
QFSBUVSF BOE 4IPDL MBZFS UIJD  
.FBTVSFNFOU .BDIJOF FUD





0, / '7/

1DQR ' VXE FRQHFWRUV

**SUNKYE**

# CONTENT



0, / '7/	1DQR ' VXE FRQHFWRUV	
5	5LJKW \$QJOH WR 3&% 6HULHV.....	2
5	607 6HULHV.....	20
5	&ULPS &RQW.D.F.W...6.H.ULHV	32
5	6WUDLJKW WR 3&% 6HUL.H.V.....	47....





# MIL-DTL-32139 Nano D-sub Connectors

## R06 Right Angle to PCB Series

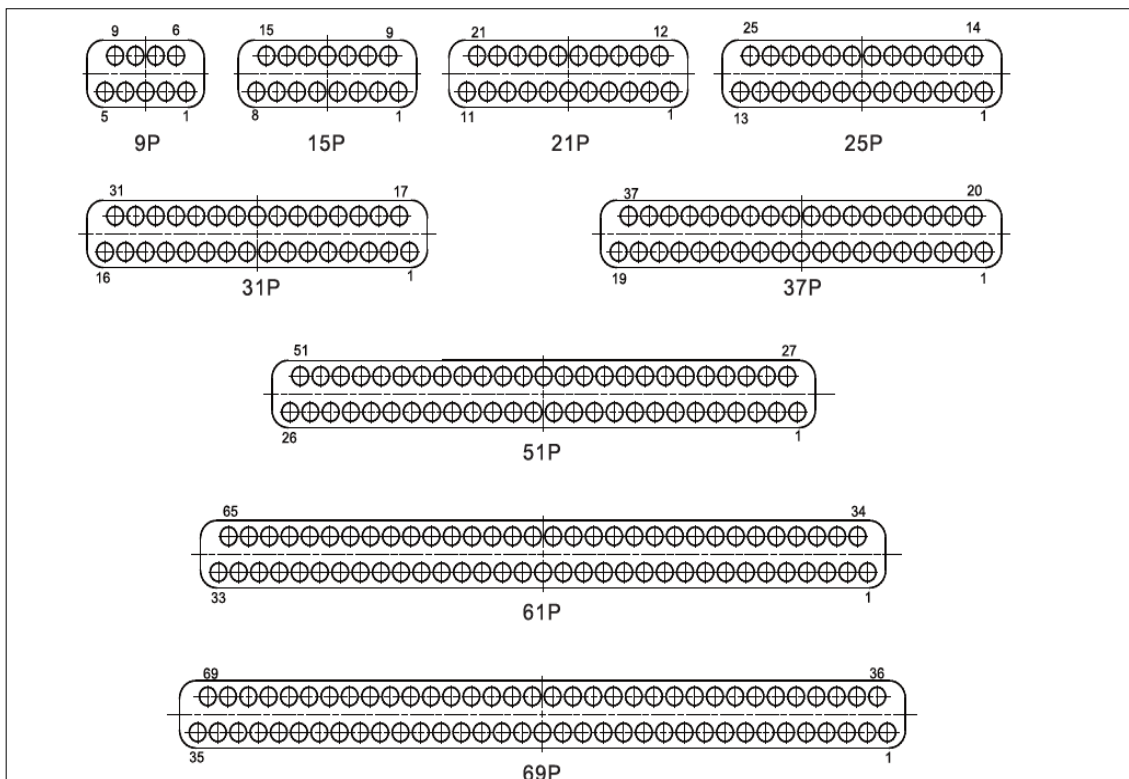
### Brief introduction

- ✓ Contacts: 9, 15, 21, 25, 31, 37, 51, 65, 69
- ✓ Twist flexible micro pin (twist pin), 0.635mm pitch, micro miniature outline dimension
- ✓ Screw nut locking, it is gently when insert and extract, stably locked
- ✓ It is used for all kinds for electric circuit system interconnection which have high density, micro, light, highly reliable requirement, it can meet light and miniaturize demand
- ✓ Plug with twist pin, receptacle with socket, free terminal with locking screw, fixed terminal with nut, standard mated connector locked by screw and nut
- ✓ Standard: MIL-DTL-32139
- ✓ Undefined tolerance is  $\pm 0.13$

### Specification

- |  |               |                          |           |
|--|---------------|--------------------------|-----------|
| ✓ Environment:   | X             | ✓ Contact resistance:    | A         |
| ✓ Vibration:   | % V X % V I O | ✓ Insulation resistance: | — » * 3 ! |
| ✓ Shock:   | I O I O       | ✓ Dielectric strength:   | 250V      |
| ✓ Rated current:   | 1A            | ✓ Machine life:          | 200 times |
| ✓ Random vibration: power spectrum density 0.4G /Hz, r.m.s value of total acceleration 23.1G |               |                          |           |

### Contact layout



Remark: The above layout is view from plug mate side end face

# R06 Right Angle to PCB Plug Series

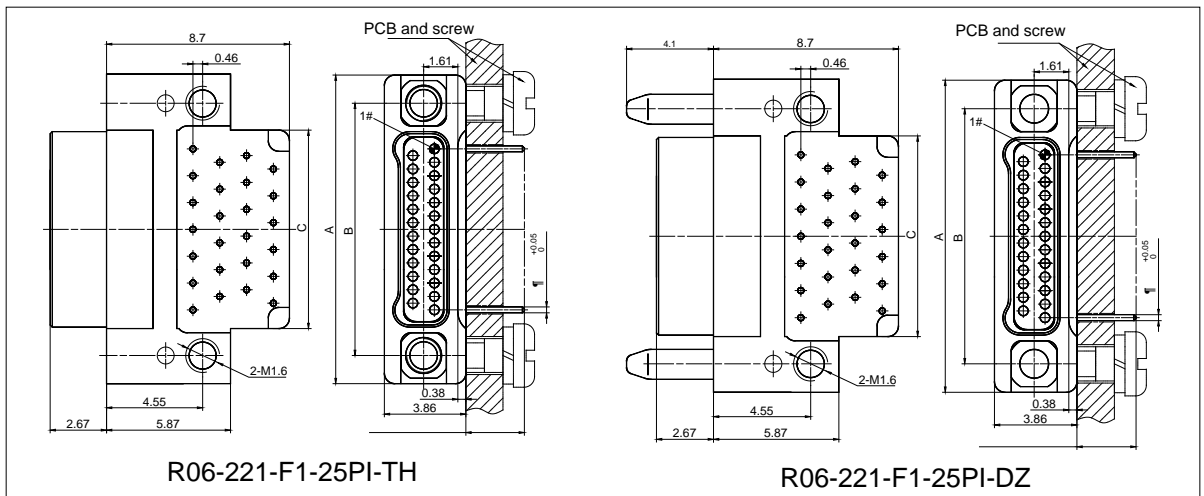
## Order marks

5GTKGU	4	(	2+	6*	
%QPVCEV TQY					
M VQY TQYU					
5JGNN RNCVKPI					
M PKEMGN RNCVKPI					
%QPVCEV RNCVKPI					
M IQNF RNCVKPI					
6CKN VGTOKPCVKQP V[RG					R06-221-F1-25PI-TH
(M u TKIJV CPING VQ 2%\$					
6CKN NGPIVJ					
M OO					
M OO					
M OO					
%QPVCEV PWODGT					
Ä Ä Ä Ä Ä Ä Ä Ä					
%QPVCEV V[RG					
2+ M RKP KP RNWI					R06-221-F1-25PI-DZ
.QEMKPI V[RG					
&<M IWKFG RKP M EQPPGEV PWV					

### Remark

- ▮ R06-221-F\*-\*\*PI-TH usually mated with receptacle which have locking screw, R06-221-F\*-\*\*PI-DZ usually mated with receptacle which have guide hole
- ▮ 3 kinds of tail length, customized produce for other length

## Outline dimension

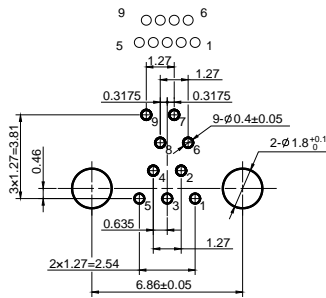
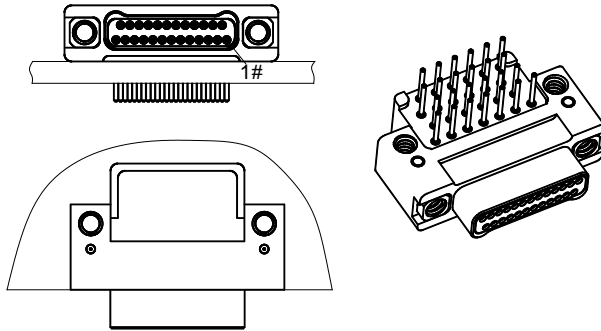


2 KP EQ WPV			&KOGPUKQP			2 KP EQ WPV			&KOGPUKQP			2 KP EQ WPV			&KOGPUKQP		
#	\$	%	#	\$	%	#	\$	%	#	\$	%	#	\$	%	#	\$	%
RKPU			RKPU			RKPU			RKPU			RKPU			RKPU		
RKPU			RKPU			RKPU			RKPU			RKPU			RKPU		
RKPU			RKPU			RKPU			RKPU			RKPU			RKPU		

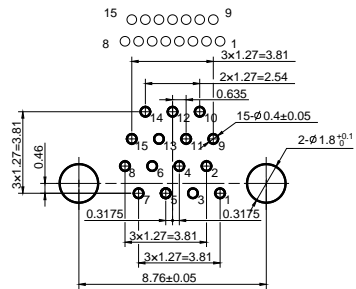
Remark: All dimensions are in mm



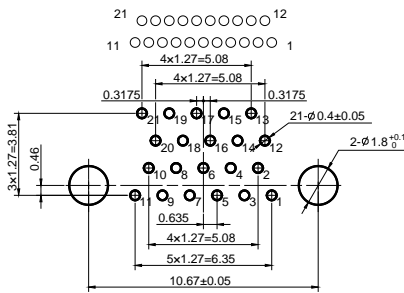
### Suggested PCB Layout



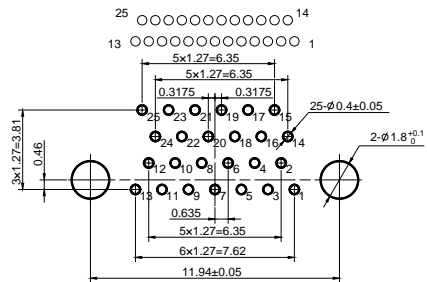
R06-221-F1/F2/F3-9PI-TH



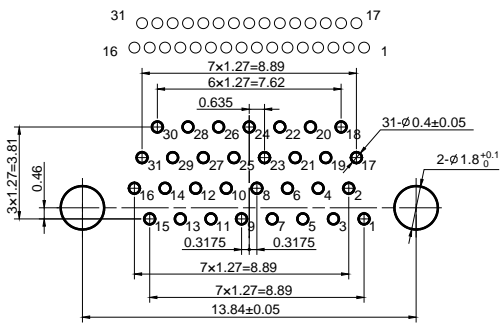
R06-221-F1/F2/F3-15PI-TH



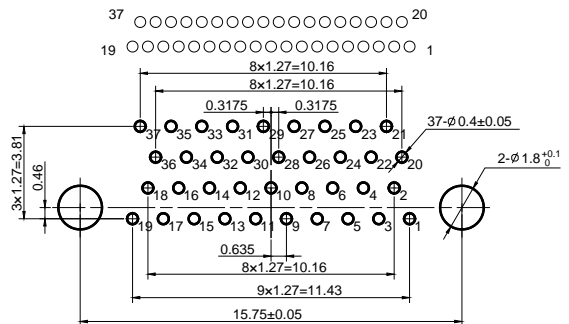
R06-221-F1/F2/F3-21PI-TH



R06-221-F1/F2/F3-25PI-TH



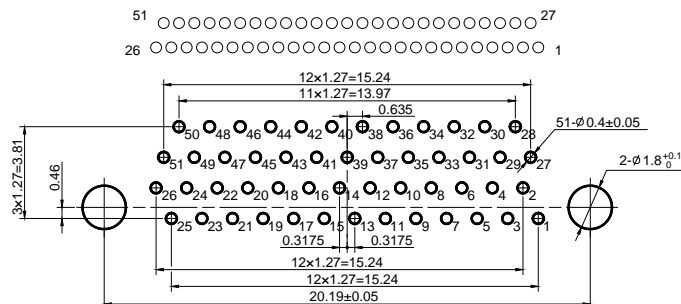
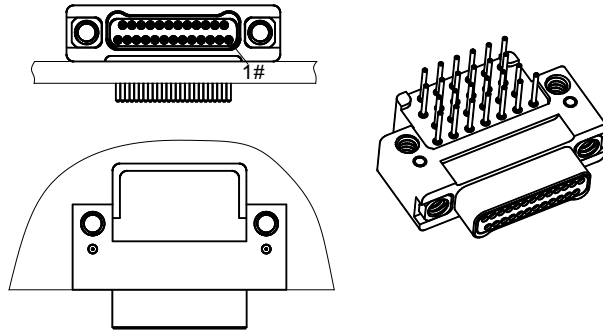
R06-221-F1/F2/F3-31PI-TH



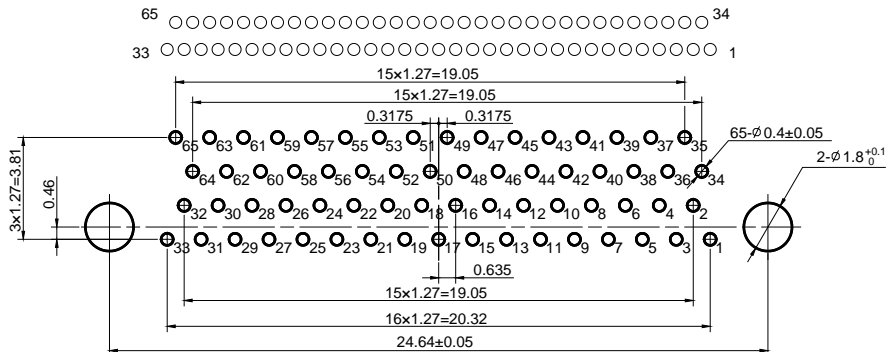
R06-221-F1/F2/F3-37PI-TH

Remark: All dimensions are in mm

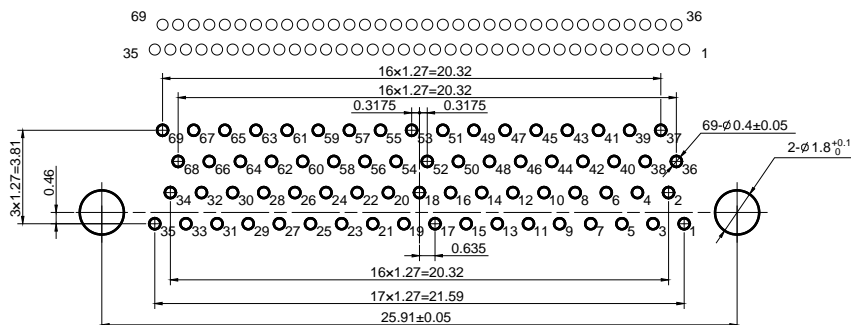
## Suggested PCB Layout



R06-221-F1/F2/F3-51PI-TH



R06-221-F1/F2/F3-65PI-TH



R06-221-F1/F2/F3-69PI-TH

Remark: All dimensions are in mm



## R06 Right Angle to Flexible PCB Plug with Locking Screw Series

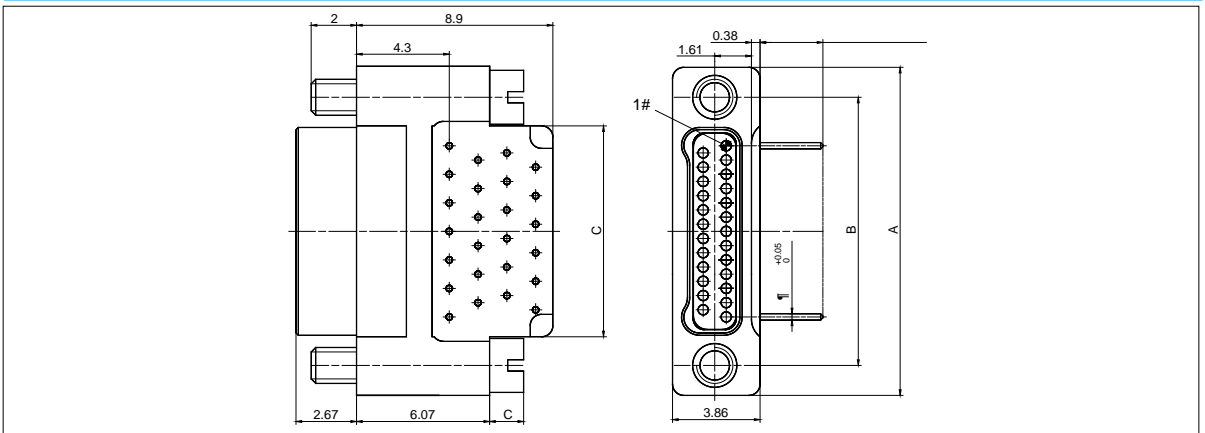
### Order marks

5GTKGU	4	(	2+	, %	
%QPVCEV TQY	M VQY TQYU				
5JGNN RNCVKPI	M PKEMGN RNCVKPI				
%QPVCEV RNCVKPI	M IQNF RNCVKPI				
6CKN VGTOKPCVKQP V[RG	(M u TKIJV CPING VQ 2%\$				
6CKN NGPIVJ	M OO				
	M OO				
	M OO				
%QPVCEV PWODGT	Ä Ä Ä Ä Ä Ä Ä Ä				
%QPVCEV V[RG	2+ M RKP KP RNWI				R06-221-F1-25PI-JC
.QEMKPI V[RG	,% M NQEMKPI UETGY UVTCKIJV UNQV % FKOGPUKQP OO				
	,% M NQEMKPI UETGY JGZ PQV TGEQOOGPF % FKOGPUKQP OO				

### Remark

- μ 3 kinds of tail length, customized produce for other length
- μ Connector is free mounted, not fixed, usually mated with receptacle which have nut
- μ Tail soldered in the Flexible PCB
- μ Recommended JC (straight slot screw) types of screws, tight by miniature straight screwdriver
- μ When choose JC1 (hex) type of screws, tight by 1.27mm subtense hex screwdriver.

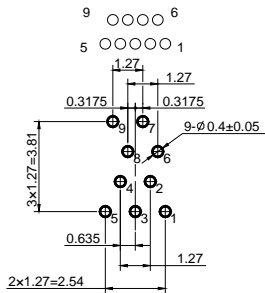
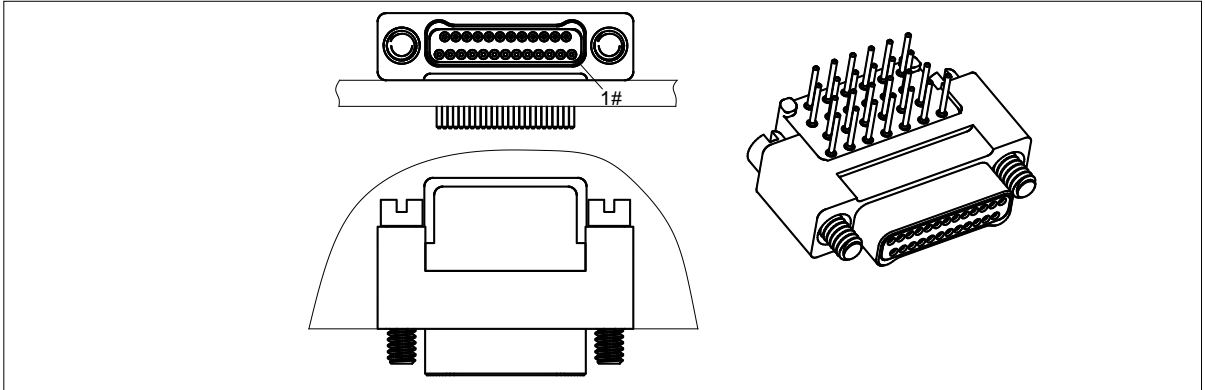
### Outline dimension



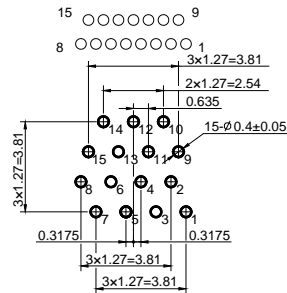
2KP EQ WPV		&KOGPUKQP		2KP EQ WPV		&KOGPUKQP		2KP EQ WPV		&KGP UKQP	
#	\$	%	#	\$	%	#	\$	%	#	\$	%
RKPU			RKPU			RKPU			RKPU		
RKPU			RKPU			RKPU			RKPU		
RKPU			RKPU			RKPU			RKPU		

Remark: All dimensions are in mm

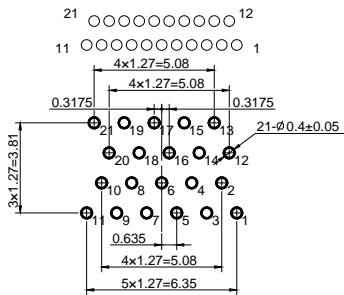
### Suggested PCB Layout



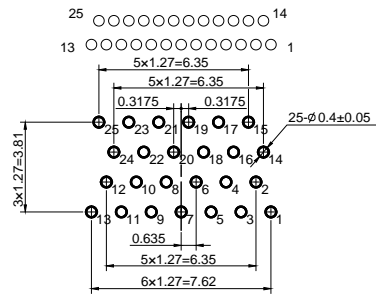
R06-221-F1/F2/F3-9PI-JC



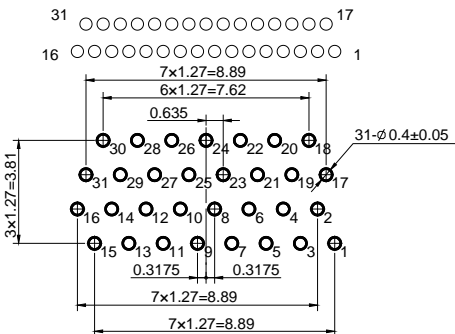
R06-221-F1/F2/F3-15PI-JC



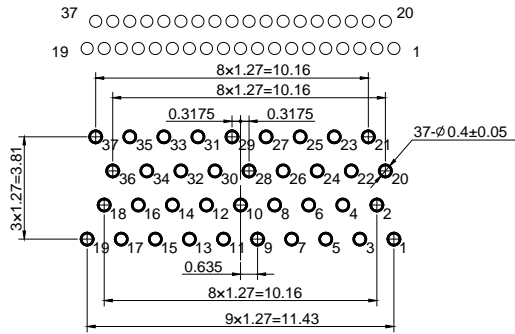
R06-221-F1/F2/F3-21PI-JC



R06-221-F1/F2/F3-25PI-JC



R06-221-F1/F2/F3-31PI-JC



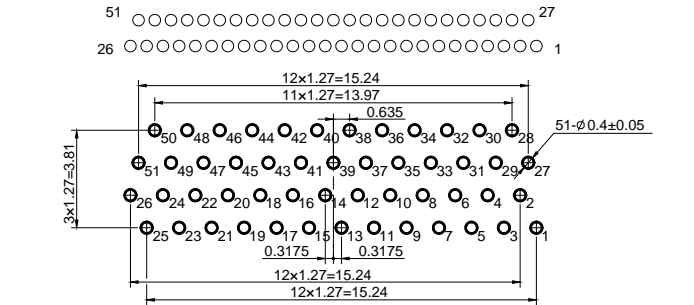
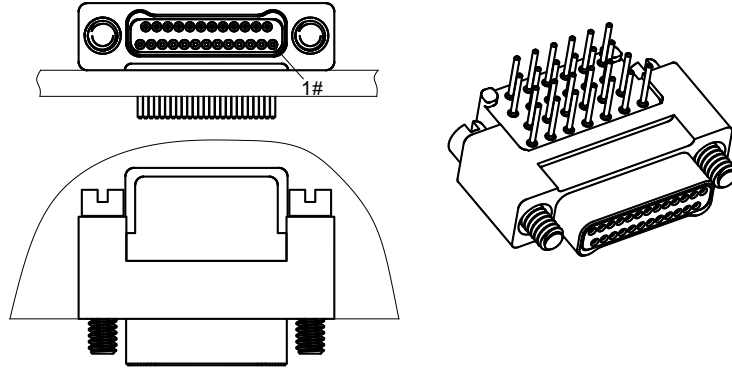
R06-221-F1/F2/F3-37PI-JC

Remark: All dimensions are in mm

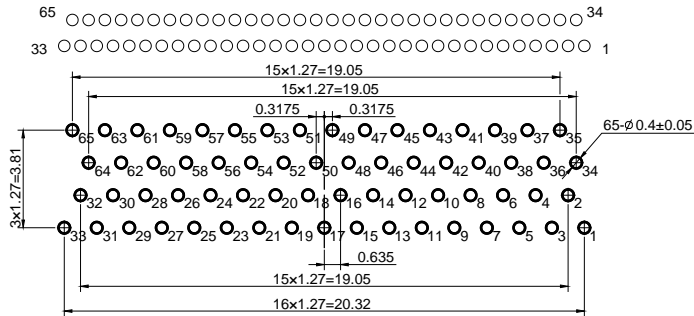




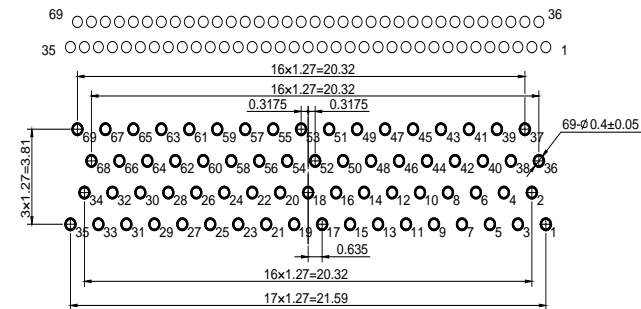
## Suggested PCB Layout



R06-221-F1/F2/F3-51PI-JC



R06-221-F1/F2/F3-65PI-JC



R06-221-F1/F2/F3-69PI-JC

Remark: All dimensions are in mm

# R06 Right Angle to PCB Receptacle Series

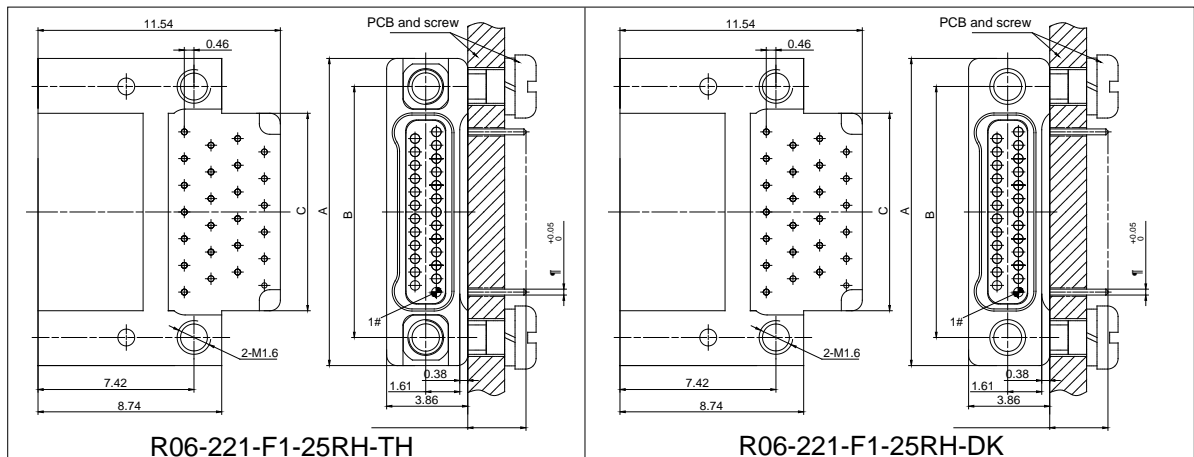
## Order marks

5GTKGU	4	(	4*	6*	R06-221-F1-25RH-TH
%QPVCEV TQY					
M VQY TQYU					
5JGNN RNCVKPI					
M PKEMGN RNCVKPI					
%QPVCEV RNCVKPI					
M IQNF RNCVKPI					
6CKN VGTOKPCVKQP V[RG					R06-221-F1-25RH-DK
(M u TKIJV CPING VQ 2%\$					
6CKN NGPIVJ					
M OO					
M OO					
M OO					
%QPVCEV PWODGT					R06-221-F1-25RH-DK
Ä Ä Ä Ä Ä Ä Ä Ä					
%QPVCEV V[RG					
4*M UQEMGV KP TGEGRVCENG					
.QEMKPI V[RG					R06-221-F1-25RH-DK
&-M IWKFG JQEM EQPPGEV PWV					

### Remark

- μ R06-221-F\*-\*\*RH-TH usually mated with plug which have locking screw, R06-221-F\*-\*\*RH-DK usually mated with plug which have guide pin
- μ 3 kinds of tail length, customized produce for other length

## Outline dimension



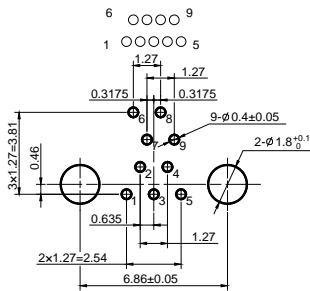
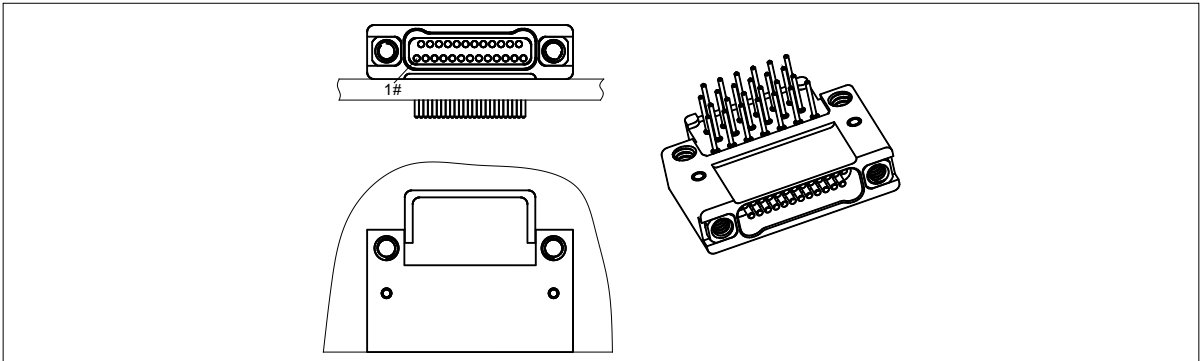
2 KP EQ WPV & KOG PUKQP			2 KP EQ WPV & KOG PUKQP			2 KP EQ WPV & KOG PUKQP		
#	\$	%	#	\$	%	#	\$	%
RKPU			RKPU			RKPU		
RKPU			RKPU			RKPU		
RKPU			RKPU			RKPU		

Remark: All dimensions are in mm

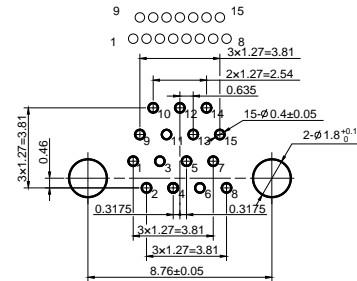




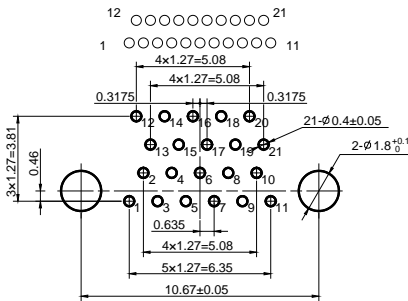
## Suggested PCB Layout



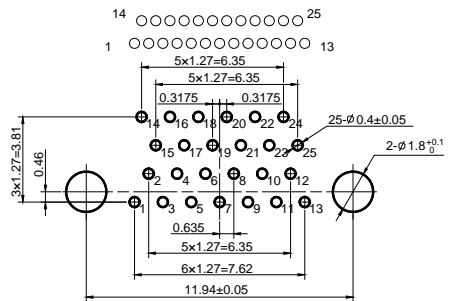
R06-221-F1/F2/F3-9RH-TH



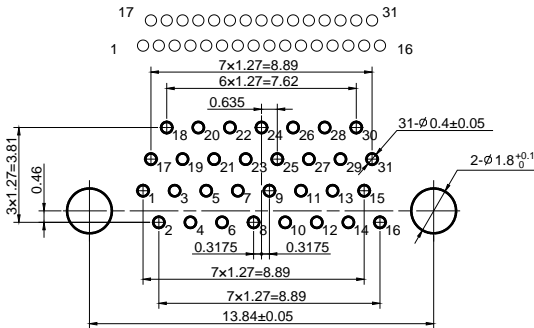
R06-221-F1/F2/F3-15RH-TH



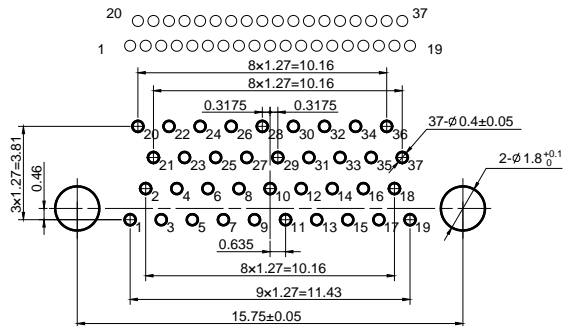
R06-221-F1/F2/F3-21RH-TH



R06-221-F1/F2/F3-25RH-TH



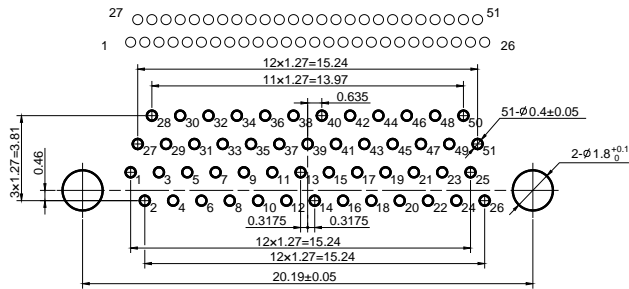
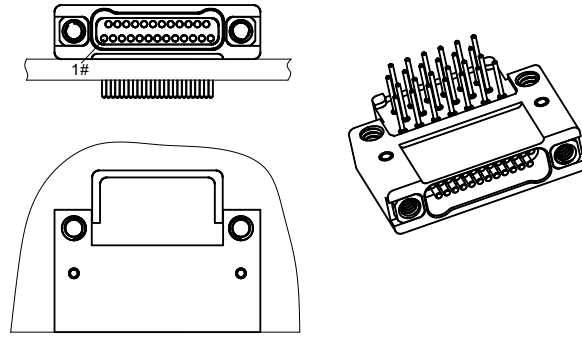
R06-221-F1/F2/F3-31RH-TH



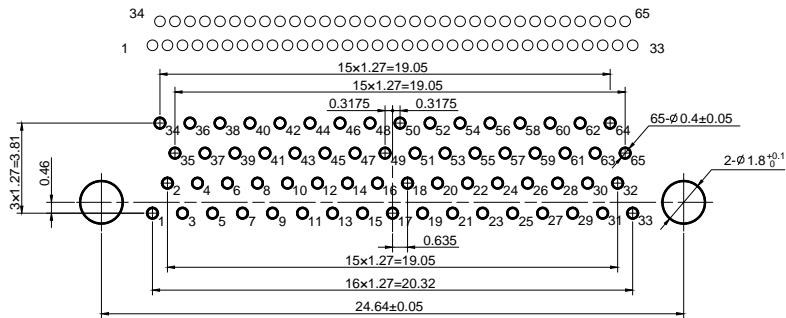
R06-221-F1/F2/F3-37RH-TH

Remark: All dimensions are in mm

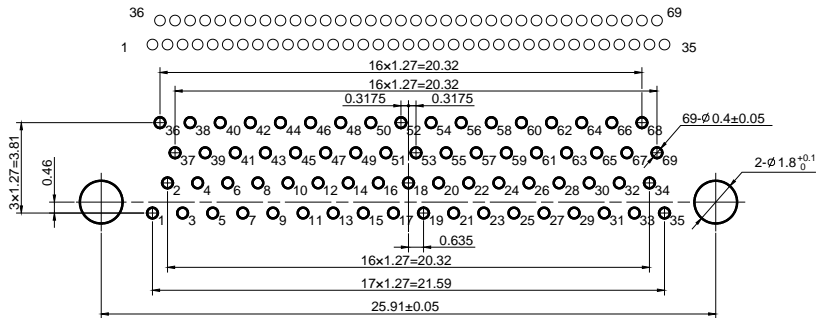
## Suggested PCB Layout



R06-221-F1/F2/F3-51RH-TH



R06-221-F1/F2/F3-65RH-TH



R06-221-F1/F2/F3-69RH-TH

Remark: All dimensions are in mm



# MIL-DTL-32139 Nano D-sub Connectors

## R06 SMT Series

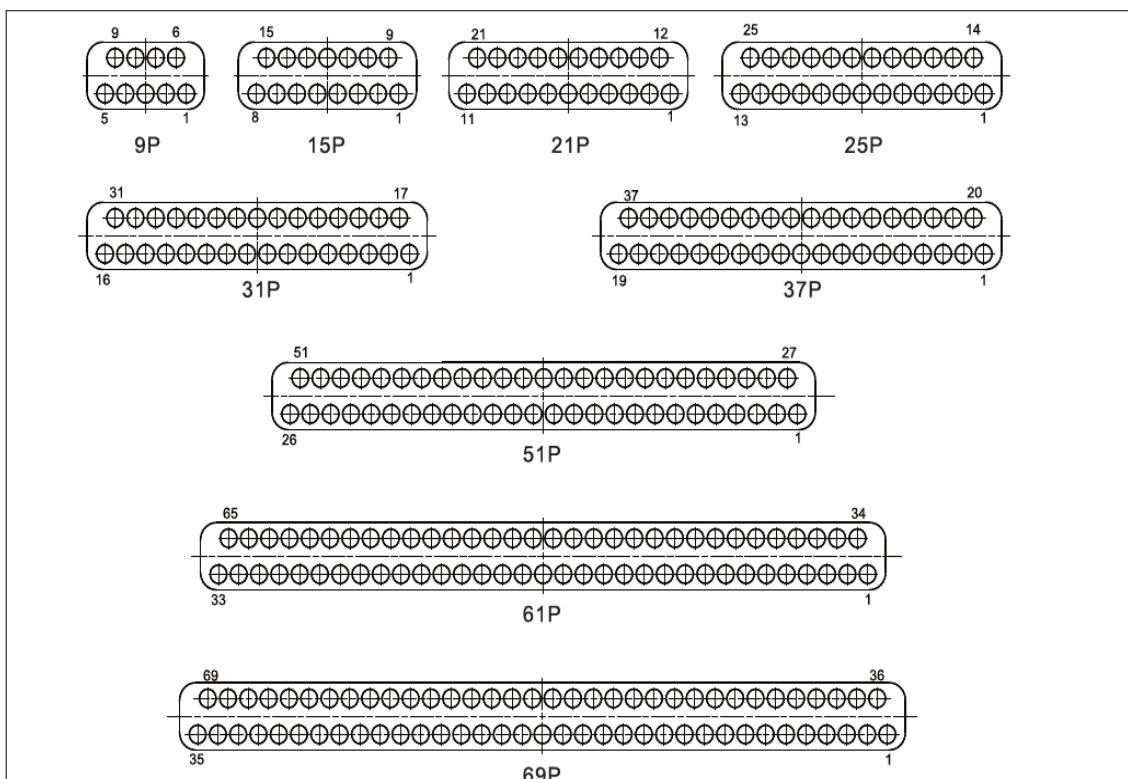
### Brief introduction

- ✓ Contacts: 9, 15, 21, 25, 31, 37, 51, 65, 69
- ✓ Twist flexible micro pin (twist pin), 0.635mm pitch, micro miniature outline dimension
- ✓ Screw nut locking, it is gently when insert and extract, stably locked
- ✓ It is used for all kinds for electric circuit system interconnection which have high density, micro, light, highly reliable requirement, it can meet light and miniaturize demand
- ✓ Plug with twist pin, receptacle with socket, free terminal with locking screw, fixed terminal with nut, standard mated connector locked by screw and nut
- ✓ Standard: MIL-DTL-32139
- ✓ Undefined tolerance is  $\pm 0.13$

### Specification

- |                  |                     |                          |           |
|------------------|---------------------|--------------------------|-----------|
| ✓ Environment:   | X                   | ✓ Contact resistance:    | A         |
| ✓ Vibration:     | % V X    % V    I O | ✓ Insulation resistance: | — » * 3 ! |
| ✓ Shock:         | I O    I O          | ✓ Dielectric strength:   | 250V      |
| ✓ Rated current: | 1A                  | ✓ Machine life:          | 200 times |
- ✓ Random vibration: power spectrum density 0.4G /Hz, r.m.s value of total acceleration 23.1G

### Contact layout



Remark: The above layout is view from plug mate side end face

## How to order

5GTKGU	4	/	2+	6*
%QPVCEV TQY M VQY TQYU				
5JGNN RNCVKPI M PKEMGN RNCVKPI				
%QPVCEV RNCVKPI M IQNF RNCVKPI				
6CKN VGTOKPCVKQP V[RG /M 5/6				
/QWPKPI UV[NG M XGTVKECN 5/6 M JQTK\QPVCN 5/6 M UVTCFFNG HNGZKDNG 5/6				
%QPVCEV PWODGT Ã Ã Ã Ã Ã Ã Ã Ã				
%QPVCEV V[RG 2+ M RKP KP RNWI 4*M UQEMGV KP TGEGRVCENG				
.QEMKPI EQORQPGPV V[RG ,%M NQEMKPI UETGY UVTCKIJV UNQV ,% M NQEMKPI UETGY JGZ PQV TGEQOOGPF 6*M EQPPGEV PWV 0*M IWKFG JQNG YKVJ PWV OQWPVGF &<M IWKFG RKP 6* M UQNFGT PWV 5*M UQNFGT IWKFG JQNG				

## Choose mating connector

- μ When choosing mating connector with locking accessories usually choose the locking component which one side with connect nut(TH), the other side with locking screw(JC).
- μ When choosing product with guide accessories,connector without locked component but only with guide component,it need fix on mounting panel after mated,for avoiding connector take off. When choosing mating connector with guide components usually choose the guide component which one side with guide pin, the other side with guide hole

# R06 Vertical SMT Plug Series

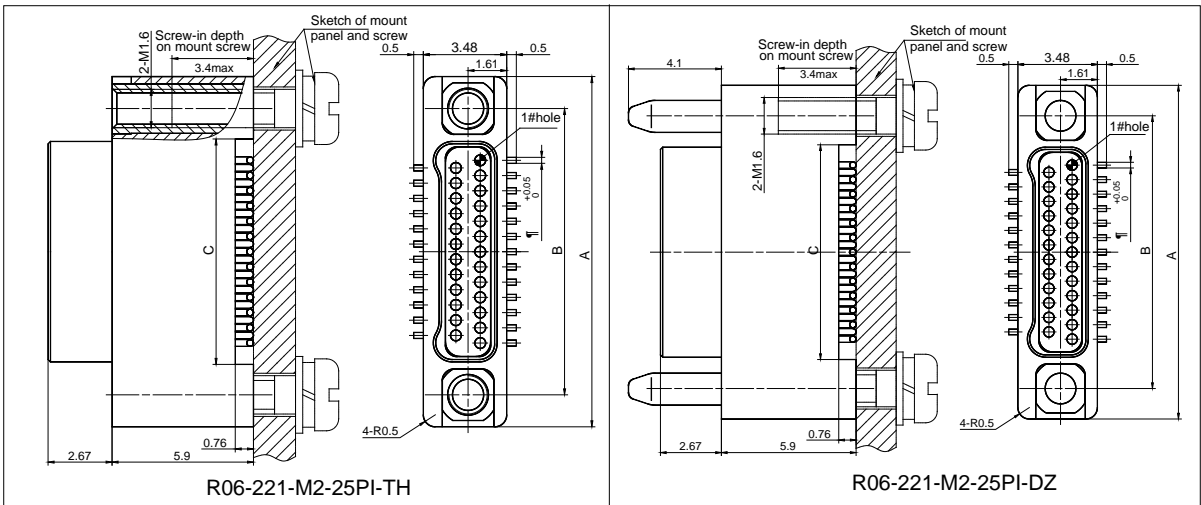
## Order marks

5GTKGU	4	/	2+	6*	R06-221-M2-25PI-TH
%QPVCEV TQY					
M VQY TQYU					
5JGNN RNCVKPI					
M PKEMGN RNCVKPI					
%QPVCEV RNCVKPI					
M IQNF RNCVKPI					
6CKN VGTOKPCVKQP V[RG					R06-221-M2-25PI-DZ
/M 5/6					
/QWPVKPI UV[NG					
M XGTVKECN 5/6					
%QPVCEV PWODGT					
Ä Ä Ä Ä Ä Ä Ä Ä					
%QPVCEV V[RG					R06-221-M2-25PI-DZ
2+ M RKP KP RNWI					
.QEMKPI EQORQPGPV V[RG					
6*M EQPPGEV PWV					
&<M IWKFG RKP					

### Remark

- μ R06-221-M2-\*\*PI-TH usually mated with receptacle which have locking screw, R06-221-M2-\*\*PI-DZ usually mated with receptacle which have guide hole

## Outline dimension



2KP EQWPV			&KOGPUKQP			2KP EQWPV			&KOGPUKQP			2KP EQWPV			&KOGPUKQP		
#	\$	%	#	\$	%	#	\$	%	#	\$	%	#	\$	%	#	\$	%
RKPU			RKPU			RKPU			RKPU			RKPU			RKPU		
RKPU			RKPU			RKPU			RKPU			RKPU			RKPU		
RKPU			RKPU			RKPU			RKPU			RKPU			RKPU		

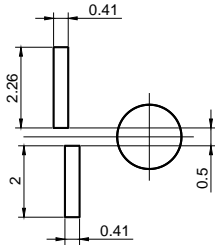
Remark: All dimensions are in mm



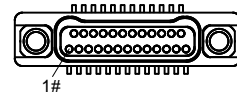
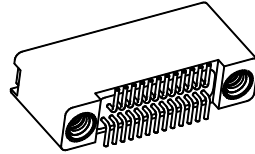




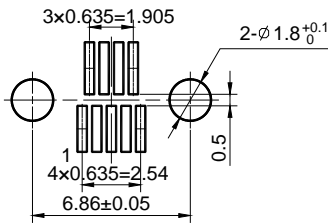
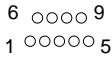
Suggested PCB Layout



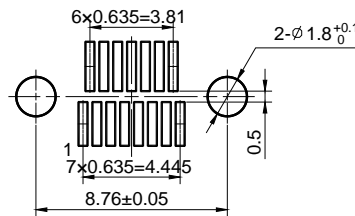
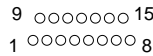
Lead footprint dimension



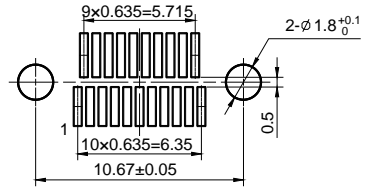
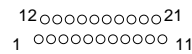
R06-221-M2-9RH-TH



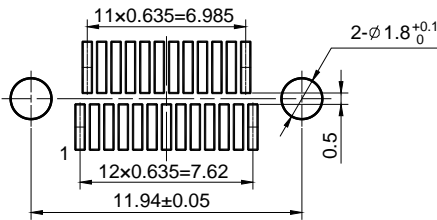
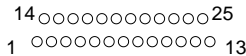
R06-221-M2-15RH-TH



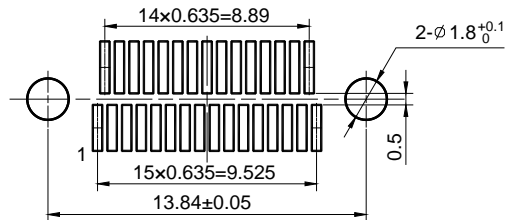
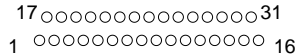
R06-221-M2-21RH-TH



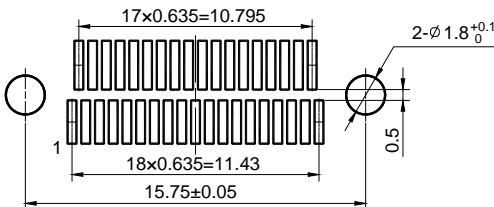
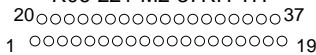
R06-221-M2-25RH-TH



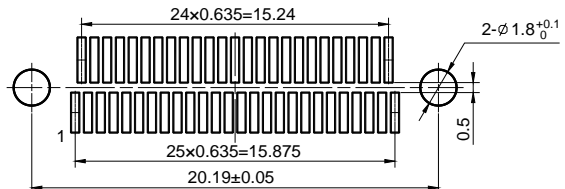
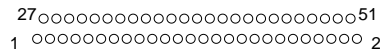
R06-221-M2-31RH-TH



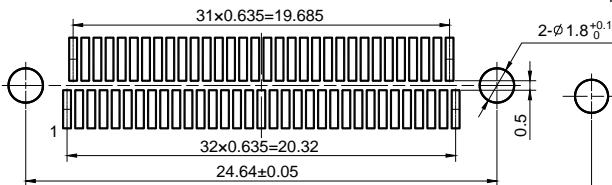
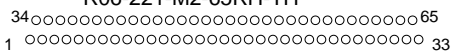
R06-221-M2-37RH-TH



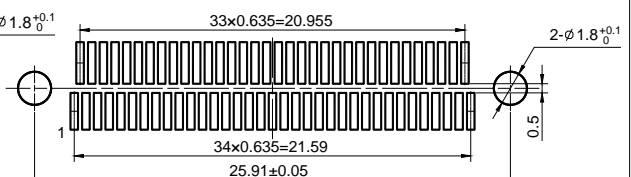
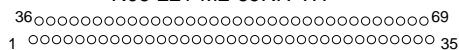
R06-221-M2-51RH-TH



R06-221-M2-65RH-TH



R06-221-M2-69RH-TH



Remark: All dimensions are in mm





## R06 Vertical SMT Receptacle with Solder Locking Component Series

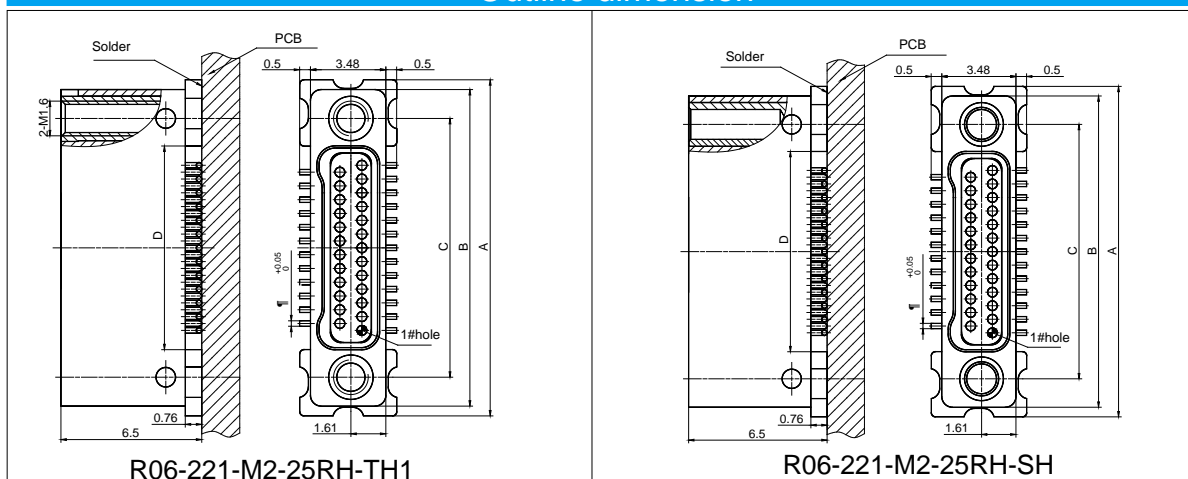
### Order marks

5GTKGU	4	/	4*	6*	R06-221-M2-25RH-TH1
%QPVCEV TQY					
M VQY TQYU					
5JGNN RNCVKPI					
M PKEMGN RNCVKPI					
%QPVCEV RNCVKPI					
M IQNF RNCVKPI					
6CKN VGTOKPCVKQP V[RG					R06-221-M2-25RH-SH
/M 5/6					
/QWPVKPI UV[NG					
M XGTVKECN 5/6					
%QPVCEV PWODGT					
Å Å Å Å Å Å Å Å					
%QPVCEV V[RG					
4*M UQEMGV KP TGEGRVCENG					
.QEMKPI EQORQPGPV V[RG					
6* M UQNFGT PWV					
5* M UQNFGT IWKFG JQNG					

### Remark

- μ Connector of mounting hole solder by SMT, suit for PCB which can't design mounting hole
- μ R06-221-M2-\*\*RH-TH1 usually mated with plug which have locking screw, R06-221-M2-\*\*RH-SH usually mated with plug which have guide pin

### Outline dimension

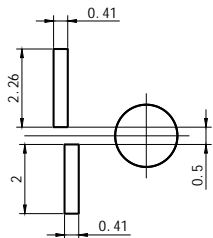


2KP EQWPV		&KOGPUKQP				2KP EQWPV		&KOGPUKQP			
	#	\$	%	&		#	\$	%	&		
RKPU						RKPU					
RKPU						RKPU					
RKPU						RKPU					
RKPU						RKPU					
RKPU						RKPU					

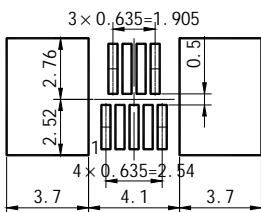
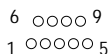
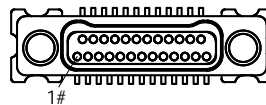
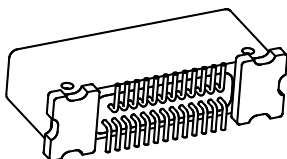
Remark: All dimensions are in mm



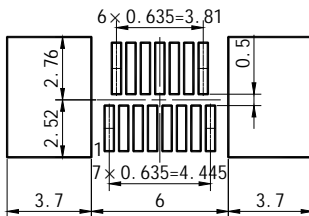
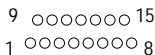
### Suggested PCB Layout



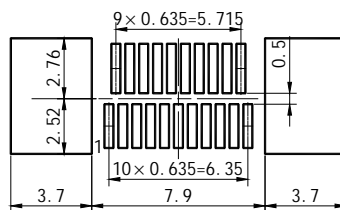
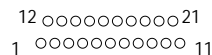
Lead footprint dimension



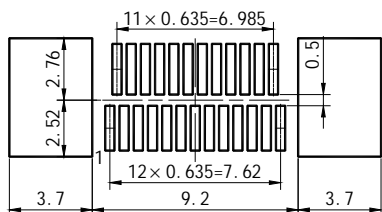
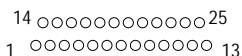
R06-221-M2-9RH-TH1



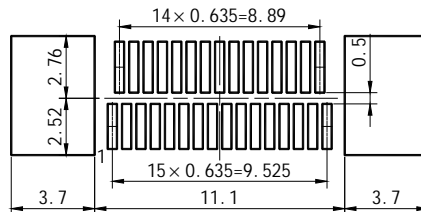
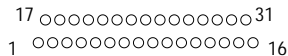
R06-221-M2-15RH-TH1



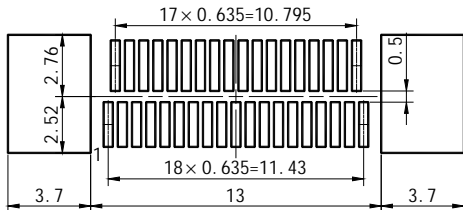
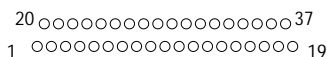
R06-221-M2-21RH-TH1



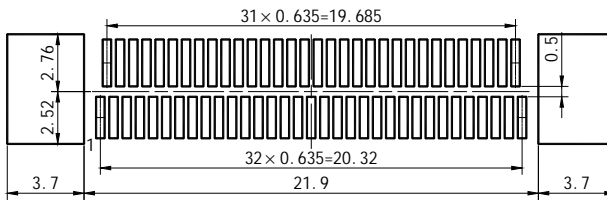
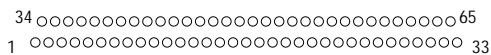
R06-221-M2-25RH-TH1



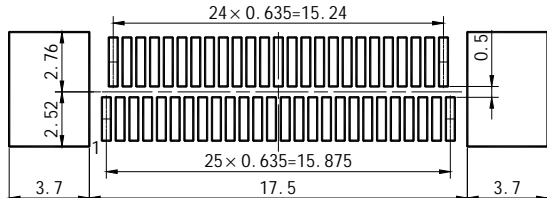
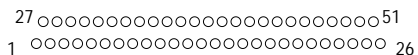
R06-221-M2-31RH-TH1



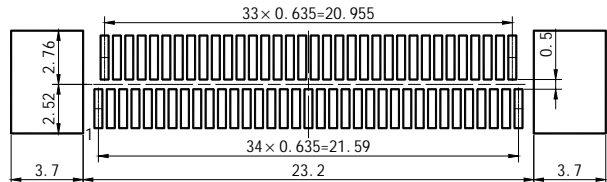
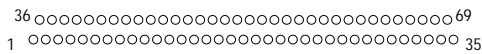
R06-221-M2-37RH-TH1



R06-221-M2-65RH-TH1



R06-221-M2-51RH-TH1



R06-221-M2-69RH-TH1

Remark: All dimensions are in mm

## R06 Horizontal SMT Plug Series

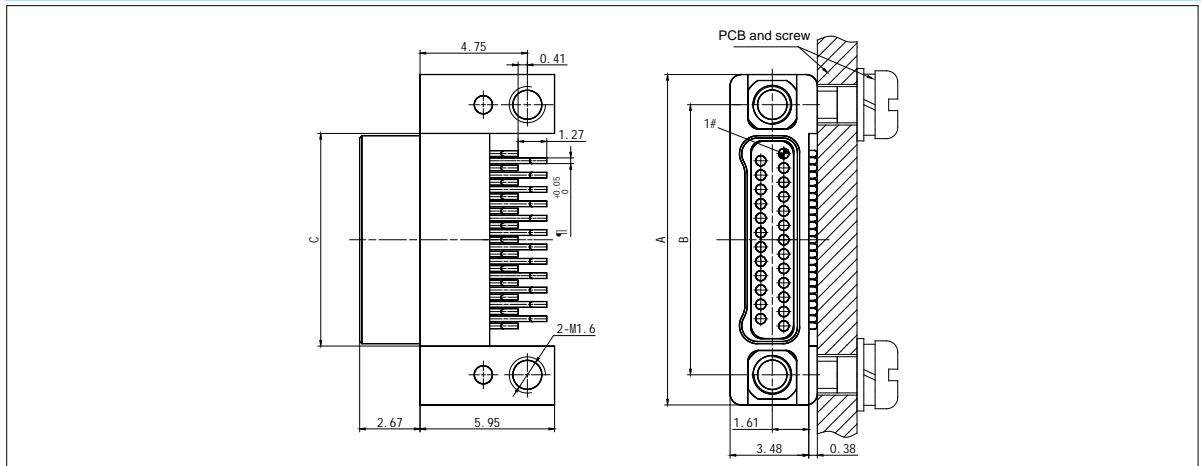
### Order marks

5GTKGU	4	/	3	2+	6*	<b>R06-221-M3-25PI-TH</b>
%QPVCEV TQY M VQY TQYU						
5JGNN RNCVKPI M PKEMGN RNCVKPI						
%QPVCEV RNCVKPI M IQNF RNCVKPI						
6CKN VGTOKPCVKQP V[RG /M 5/6						
/QWPVKPI UV[NG M JQTK\QPVCN 5/6						
%QPVCEV PWODGT A A A A A A A A						
%QPVCEV V[RG 2+ M RKP KP RNWI						
.QEMKPI EQORQPGPV V[RG 6*M EQPPGEV PWV						

#### Remark

μ R06-221-M3-25PI-TH usually mated with receptacle which have locking screw

### Outline dimension



2KP EQWPV #	&KOGPUKQP		2KP EQWPV #	&KOGPUKQP		2KP EQWPV #	&KGPVKQP	
	\$	%		\$	%		\$	%
RKPU			RKPU			RKPU		
RKPU			RKPU			RKPU		
RKPU			RKPU			RKPU		

Remark: All dimensions are in mm



# R06 Horizontal SMT Receptacle Series

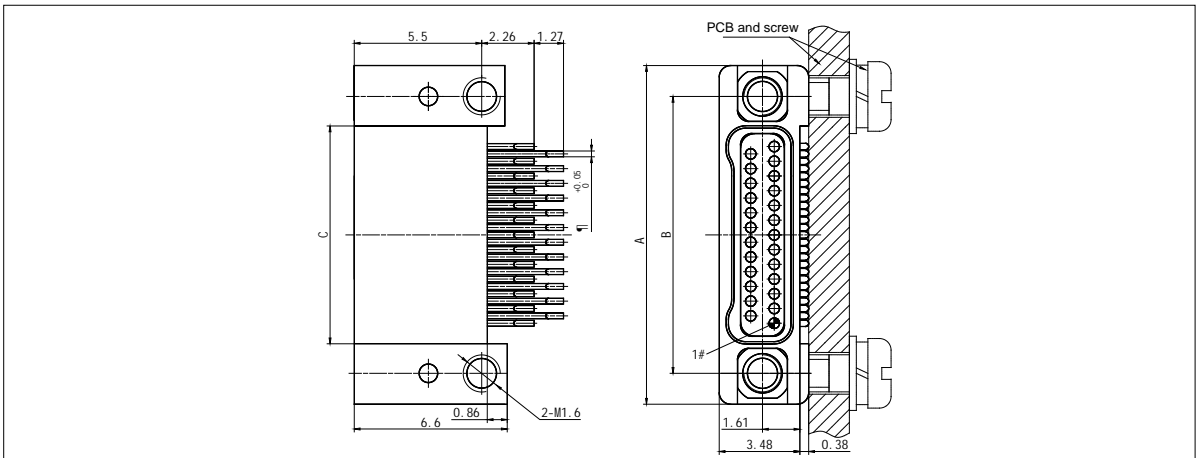
## Order marks

5GTKGU	4	/	3	RH	6*	<b>R06-221-M3-25RH-TH</b>
%QPVCEV TQY						
M VQY TQYU						
5JGNN RNCVKPI						
M PKEMGN RNCVKPI						
%QPVCEV RNCVKPI						
M IQNF RNCVKPI						
6CKN VGTOKPCVKQP V[RG						
/M 5/6						
/QWPVKPI UV[NG						
M JQTK\QPVCN 5/6						
%QPVCEV PWODGT						
Å Å Å Å Å Å Å Å						
%QPVCEV V[RG						
4*M UQEMGV KP TGEGRVCENG						
.QEMKPI EQORQPGPV V[RG						
6*M EQPPGEV PWV						

### Remark

μ R06-221-M3-\*RH-TH usually mated with plug which have locking screw

## Outline dimension

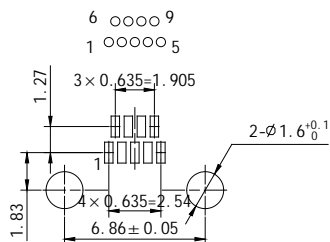
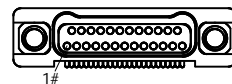
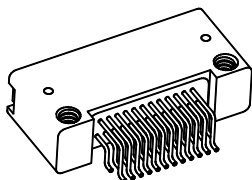
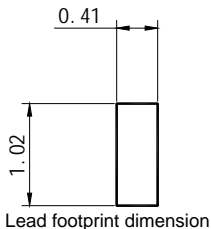


2 K P E Q W P V #	& K O G P U K Q P \$	%	2 K P E Q W P V #	& K O G P U K Q P \$	%	2 K P E Q W P V #	& K G P U K Q P \$	%
RKPU			RKPU			RKPU		
RKPU			RKPU			RKPU		
RKPU			RKPU			RKPU		

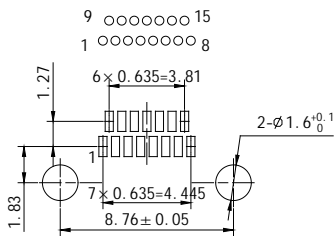
Remark: All dimensions are in mm



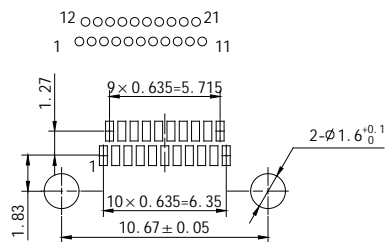
### Suggested PCB Layout



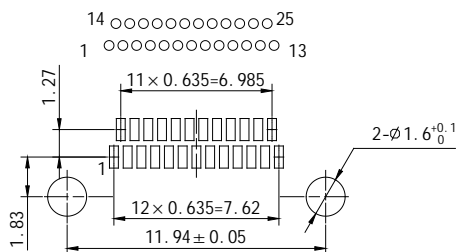
**R06-221-M3-9RH-TH**



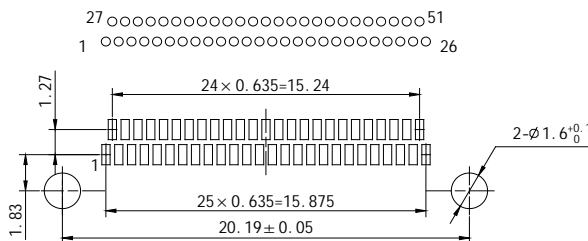
**R06-221-M3-15RH-TH**



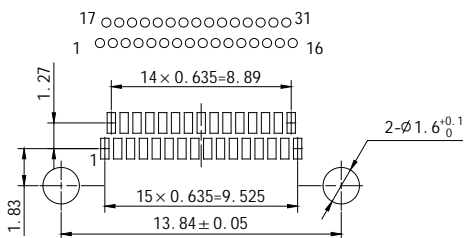
**R06-221-M3-21RH-TH**



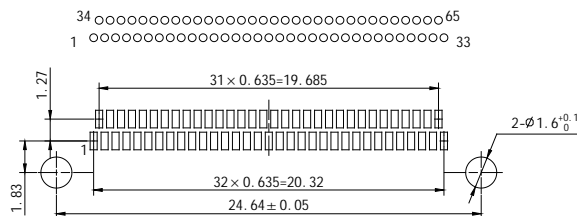
**R06-221-M3-25RH-TH**



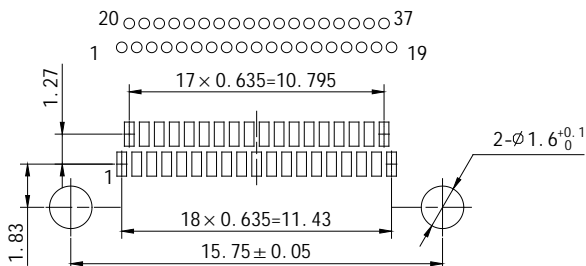
**R06-221-M3-51RH-TH**



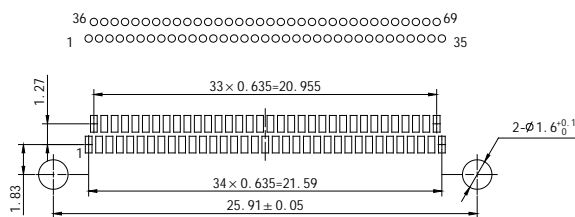
**R06-221-M3-31RH-TH**



**R06-221-M3-65RH-TH**



**R06-221-M3-37RH-TH**



**R06-221-M3-69RH-TH**

Remark: All dimensions are in mm



# R06 Straddle Flexible SMT Plug Series

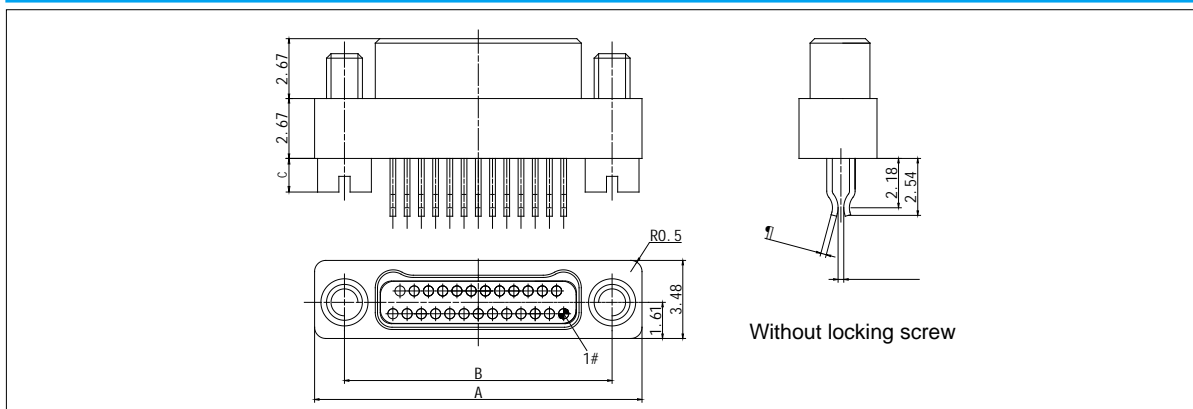
## Order marks

5G T K G U	4		/	8	PI	-JC	<b>R06-221-M8-25PI-JC</b>
% Q P V C E V T Q Y							
M V Q Y T Q Y U							
5 J G N N R N C V K P I							
M P K E M G N R N C V K P I							
% Q P V C E V R N C V K P I							
M I Q N F R N C V K P I							
6 C K N V G T O K P C V K Q P V [ R G							
/ M 5 / 6							
/ Q W P V K P I U V [ N G							
M U V T C F F N G H N G Z K D N G 5 / 6							
% Q P V C E V P W O D G T							
Ä Ä Ä Ä Ä Ä Ä Ä							
% Q P V C E V V [ R G							
2+ M R K P K P R N W I							
. Q E M K P I E Q O R Q P G P V V [ R G							
JC— locking screw(straight slot, C dimension=1.5mm)							
JC1— locking screw(hex, not recommend , C dimension=2.1mm)							

### Remark

- μ Connector is free mounted, not fixed, usually mated with receptacle which have nut
- μ Recommended JC(straight slot screw) types of screws, tight by miniature straight screwdriver
- μ When choose JC1(hex) type of screws, tight by 1.27mm subtense hex screwdriver.
- μ PC tail solder on flexible PCB, PCB thickness is 0.25MAX.

## Outline dimension



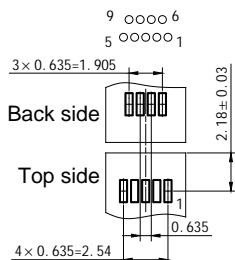
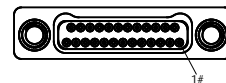
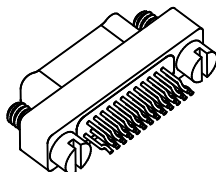
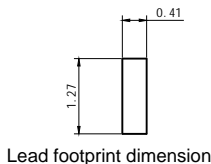
2 K P E Q W P V	#	& K O G P U K Q P	\$	2 K P E Q W P V	#	& K O G P U K Q P	\$	2 K P E Q W P V	#	& K O G P U K Q P	\$
R K P U				R K P U				R K P U			
R K P U				R K P U				R K P U			
R K P U				R K P U				R K P U			

Remark: All dimensions are in mm

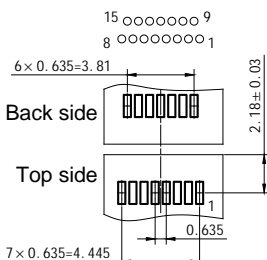




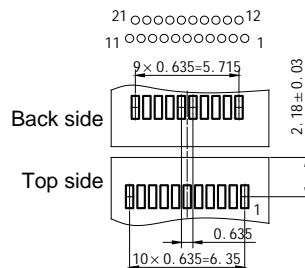
### Suggested PCB Layout



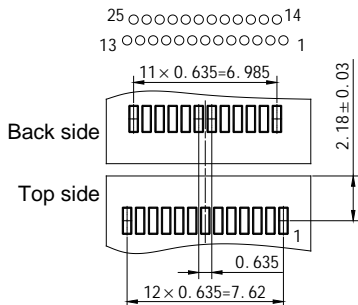
**R06-221-M8-9PI-JC**



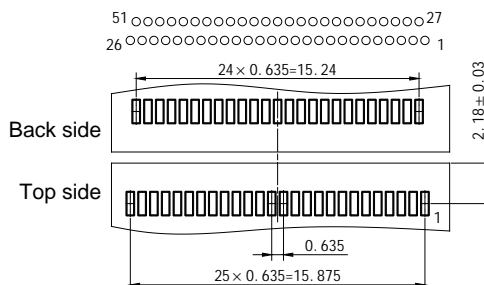
**R06-221-M8-15PI-JC**



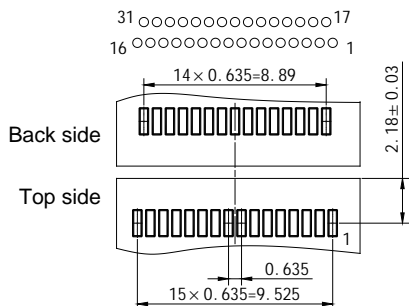
**R06-221-M8-21PI-JC**



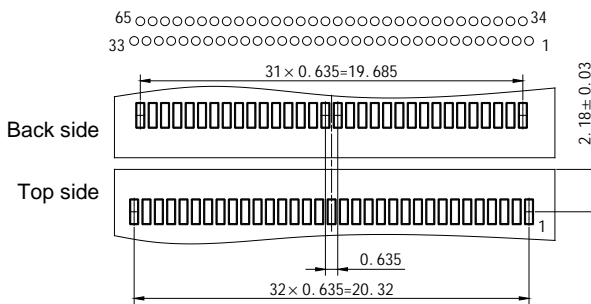
**R06-221-M8-25PI-JC**



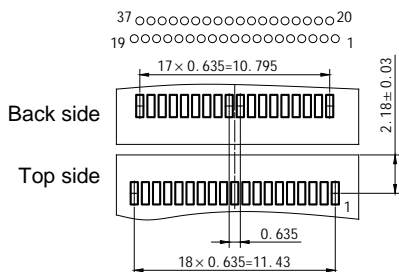
**R06-221-M8-51PI-JC**



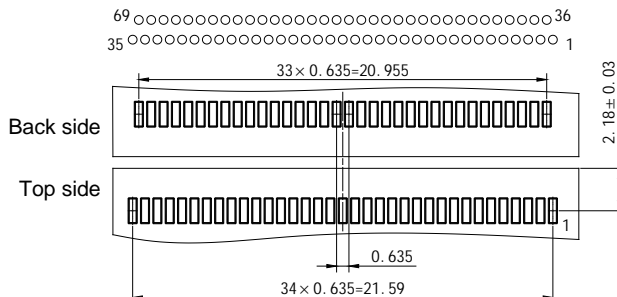
**R06-221-M8-31PI-JC**



**R06-221-M8-65PI-JC**



**R06-221-M8-37PI-JC**



**R06-221-M8-69PI-JC**

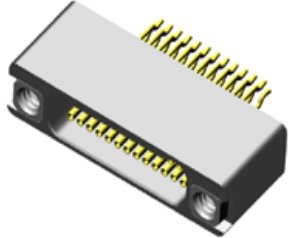
Remark: All dimensions are in mm





# R06 Straddle Flexible SMT Receptacle Series

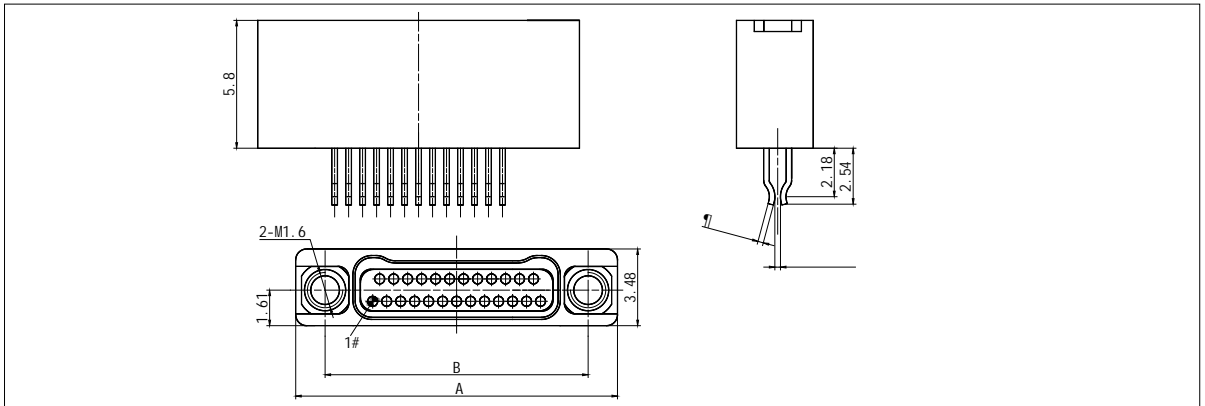
## Order marks

5G T K G U	4	/	8	RH	6*	 <p><b>R06-221-M8-25RH-TH</b></p>
% Q P V C E V T Q Y						
M V Q Y T Q Y U						
5 J G N N R N C V K P I						
M P K E M G N R N C V K P I						
% Q P V C E V R N C V K P I						
M I Q N F R N C V K P I						
6 C K N V G T O K P C V K Q P V [ R G						
/ M 5 / 6						
/ Q W P V K P I U V [ N G						
M U V T C F F N G H N G Z K D N G 5 / 6						
% Q P V C E V P W O D G T						
Å Å Å Å Å Å Å Å						
% Q P V C E V V [ R G						
4 * M U Q E M G V K P T G E G R V C E N G						
. Q E M K P I E Q O R Q P G P V V [ R G						
6 * M E Q P P G E V P W V						

### Remark

- µ Connector is free mounted, not fixed, usually mated with plug which have screw
- µ PC tail solder on flexible PCB, PCB thickness is 0.25MAX.

## Outline dimension

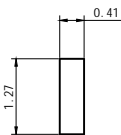


2 K P E Q W P V	#	& K O G P U K Q P	\$	2 K P E Q W P V	#	& K O G P U K Q P	\$	2 K P E Q W P V	#	& K G P U K Q P	\$
R K P U				R K P U				R K P U			
R K P U				R K P U				R K P U			
R K P U				R K P U				R K P U			

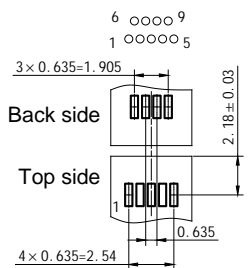
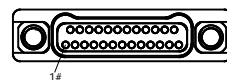
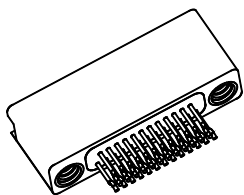
Remark: All dimensions are in mm



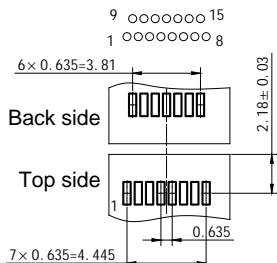
### Suggested PCB Layout



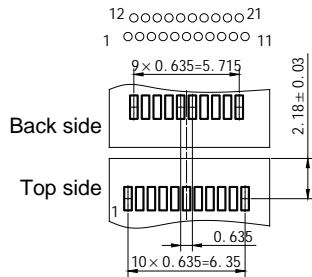
Lead footprint dimension



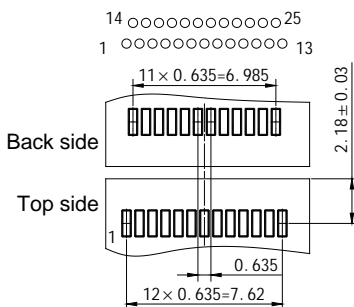
**R06-221-M8-9RH-TH**



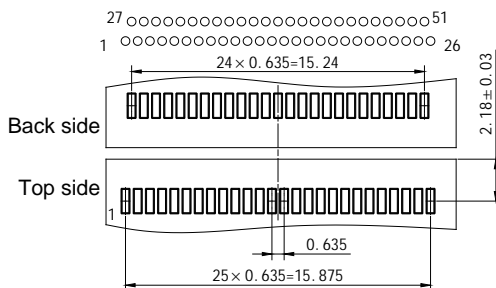
**R06-221-M8-15RH-TH**



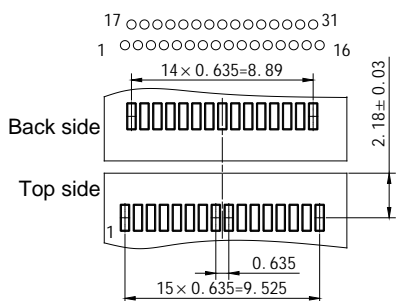
**R06-221-M8-21RH-TH**



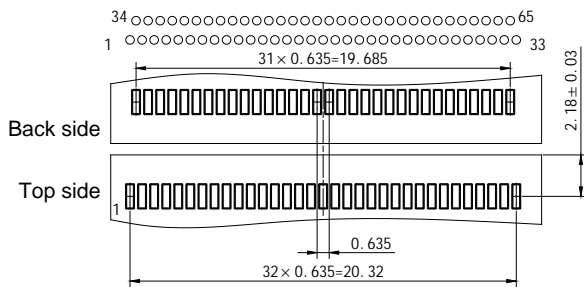
**R06-221-M8-25RH-TH**



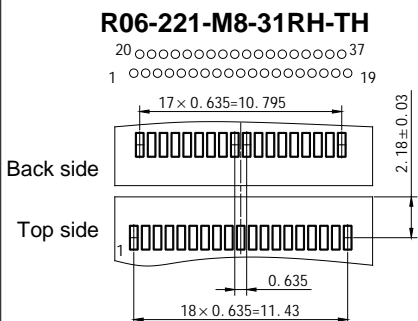
**R06-221-M8-51RH-TH**



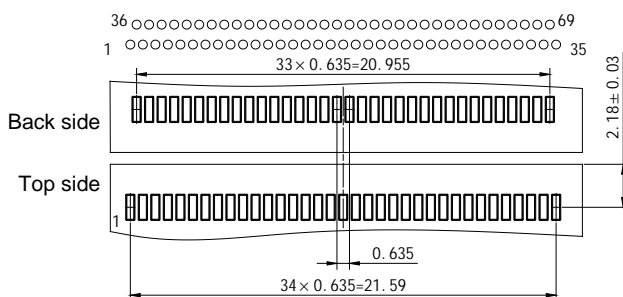
**R06-221-M8-31RH-TH**



**R06-221-M8-65RH-TH**



**R06-221-M8-37RH-TH**



**R06-221-M8-69RH-TH**

Remark: All dimensions are in mm



# MIL-DTL-32139 Nano D-sub Connectors

## R06 Crimp Contact Series

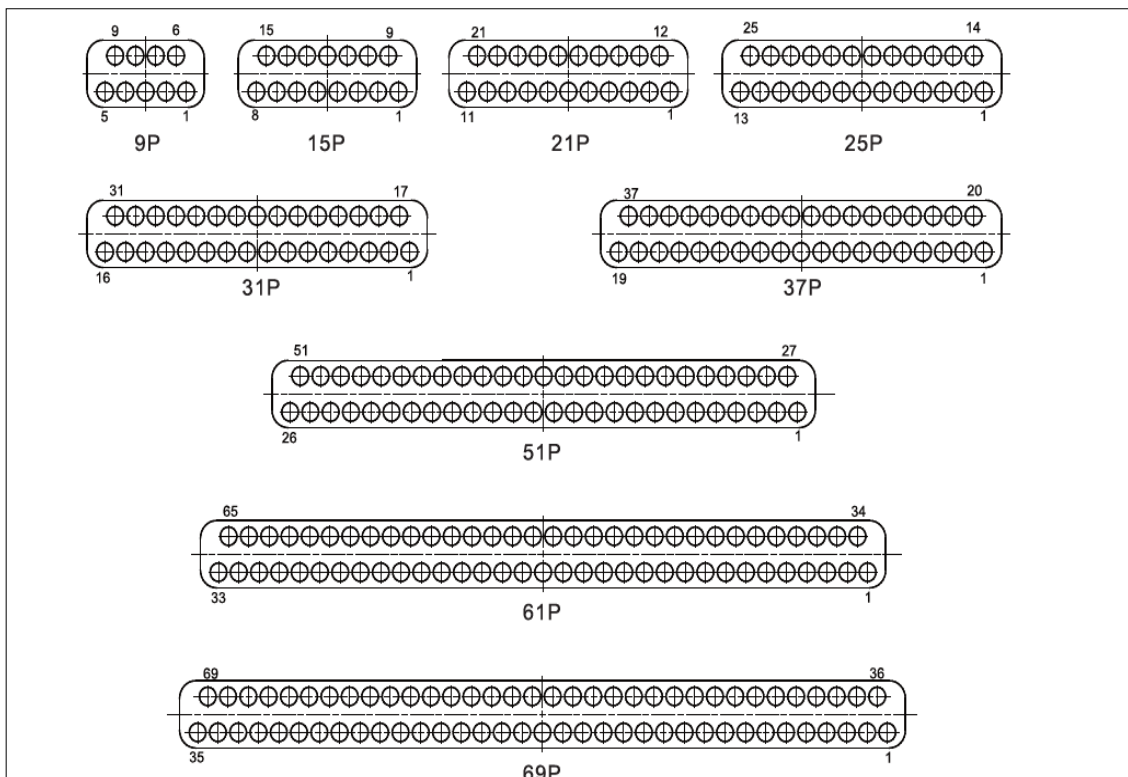
### Brief introduction

- ✓ Contacts:9,15,21,25,31,37,51,65,69
- ✓ Twist flexible micro pin (twist pin), 0.635mm pitch, micro miniature outline dimension
- ✓ Screw nut locking, it is gently when insert and extract, stably locked
- ✓ It is used for all kinds for electric circuit system interconnection which have high density, micro, light, highly reliable requirement, it can meet light and miniaturize demand
- ✓ Plug with twist pin, receptacle with socket, free terminal with locking screw, fixed terminal with nut, standard mated connector locked by screw and nut
- ✓ Standard: MIL-DTL-32139
- ✓ The sectional area of crimp conductive cable is 0.035mm
- ✓ Undefined tolerance is $\pm 0.13$

### Specification

- |  |               |                          |           |
|--|---------------|--------------------------|-----------|
| ✓ Environment:   | X             | ✓ Contact resistance:    | A »       |
| ✓ Vibration:   | % V X % V I O | ✓ Insulation resistance: | — » * 3 ! |
| ✓ Shock:   | I O I O       | ✓ Dielectric strength:   | 250V      |
| ✓ Rated current:   | 1A            | ✓ Machine life:          | 200 times |
| ✓ Random vibration: power spectrum density 0.4G /Hz, r.m.s value of total acceleration 23.1G |               |                          |           |

### Contact layout



Remarked: The above layout is view from plug mate side end face

## How to order

<b>5GTKGU</b>	<b>4</b>	<b>%</b>	<b>2+</b>	<b>6*</b>
<b>%QPVCEV TQY</b>				
M VQY TQYU				
<b>5JGNN RNCVKPI</b>				
M PKEMGN RNCVKPI				
<b>%QPVCEV RNCVKPI</b>				
M IQNF RNCVKPI				
<b>6CKN VGTOKPCVKQP V[RG</b>				
%M ETKOR				
<b>/QWPVKPI UV[NG</b>				
MHTGG OQWPVGF				
M XGTVKECN OQWPVGF				
M JQTKIQPVCN OQWPVGF				
M ETKOR UKCOGUG				
M PWV OQWPVGF				
M (NCPIG OQWPVGF				
M (NQCVKPI OQWPVGF				
<b>%QPVCEV PWODGT</b>				
Ä Ä Ä Ä Ä Ä Ä Ä				
<b>%QPVCEV V[RG</b>				
2+ M RKP KP RNWI				
4*M UQEMGV KP TGEGRVCENG				
22M RNWI KPVGTEQPPGEV RNWI				
25M RNWI KPVGTEQPPGEV TGEGRVCENG				
55M TGEGRVCENG KPVGTEQPPGEV TGEGRVCENG				
<b>7DLO FRYHU</b>				
M YKVJQWV VCKN EQXGT				
M YKVJ VCKN EQXGT				
<b>.QEMKPI EQORQPGPV V[RG</b>				
M YKVJQWV NQEMKPI EQORQPGPV				
,%M NQEMKPI UETGY UVTCKIJV UNQV				
,% M NQEMKPI UETGY JGZ PQV TGEQOOGPF				
6*M EQPPGEV PWV				
0*M IWKFG JQNG YKVJ PWV OQWPVGF				

## Choose mating connector

- ⌘ When choosing mating connector with locking accessories usually choose the locking component which one side with connect nut(TH), the other side with locking screw(JC).
- ⌘ When choosing product with guide accessories,connector without locked component but only with guide component,it need fix on mounting panel after mated,for avoiding connector take off. When choosing mating connector with guide components usually choose the guide component which one side with guide pin, the other side with guide hole

# Free Mounted Crimp Series

## Order marks

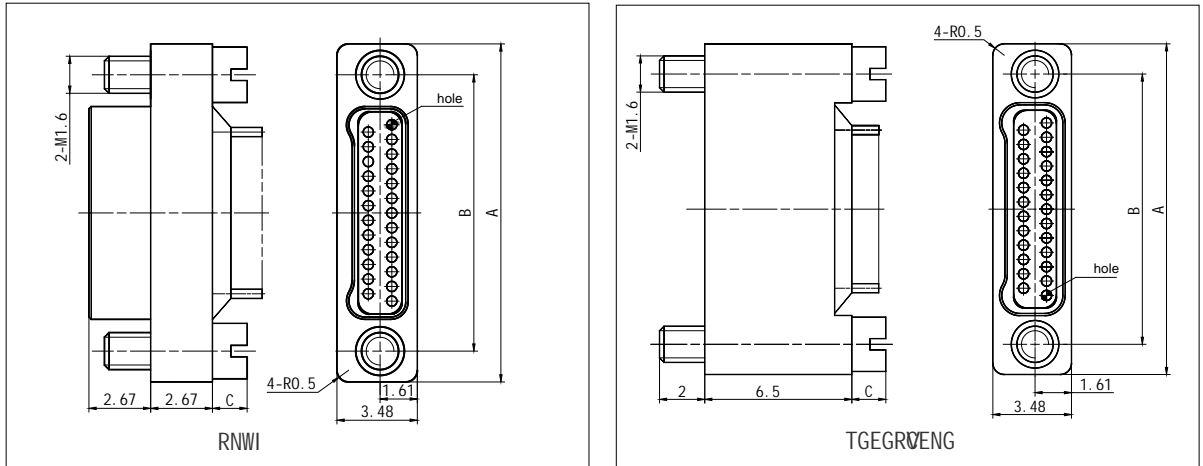
5G T K G U	4	%	2+	, %	RNWI
% Q P V C E V T Q Y	M V Q Y T Q Y U				
5 J G N N R N C V K P I	M P K E M G N R N C V K P I				
% Q P V C E V R N C V K P I	M I Q N F R N C V K P I				
6 G T O K P C V K Q P V [ R G					
MARKED					
/ Q W P V K P I U V [ N G	M H T G G O Q W P V G F				
% Q P V C E V P W O D G T	Ä Ä Ä Ä Ä Ä Ä Ä				
% Q P V C E V V [ R G	2+ M R K P K P R N W M U Q E M G V K P T G E G R V C E N G				
7 D L O F R Y H U	M Y K V J Q W V V C K N E Q X G T				
. Q E M K P I V [ R G					T G E G R V C E N G

JC— locking screw(straight slot, C dimension=1.5mm)  
JC1— locking screw(hex, not recommend , C dimension=2.1mm)

### Remark

- μ Locking screw fixed on the outer shell, can't disassembly
- μ Connector is free mounted, not fixed, usually mated with connector which have nut
- μ Recommended JC(straight slot screw) types of screws, tight by miniature straight screwdriver
- μ When choose JC1(hex) type of screws, tight by 1.27mm subtense hex screwdriver.

## Outline dimension



2KEW	KGBK		2KEW	KGBK		2KEW	KGBK	
	#	\$		#	\$		#	\$
RK			RK			RK		
RK			RK			RK		
RK			RK			RK		

Remark: All dimensions are in mm



# Vertical Mounted Crimp Series

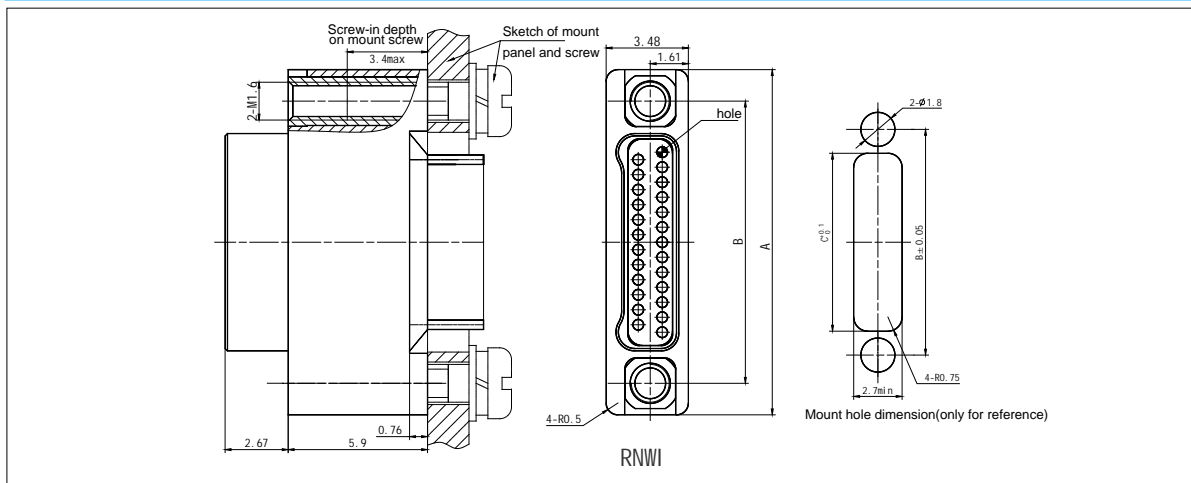
## Order marks

5GTKGU	4		% 2	RH	-TH	
%QPVCEV TQY						
M VQY TQYU						
5JGNN RNCVKPI						
M PKEMGN RNCVKPI						
%QPVCEV RNCVKPI						
M IQNF RNCVKPI						
6GTOKPCVKQP V[RG						
%M ETKOR						RNWI
/QWPVKPI UV[NG						
M XGTVKECN OQWVPGF						
%QPVCEV PWODGT						
Ä Ä Ä Ä Ä Ä Ä Ä						
%QPVCEV V[RG						
2+ M RKP KP RNWI UQEMGV KP TGEGRVCENG						
7DLO FRYHU						
M YKVJQWV VCKN EQXGT						
.QEMKPI V[RG						
6*M EQPPGEV PWV						TGEGRVCENG

### Remark

- μ Connecting nut with thread structure forepart used for locking screw,back part used for mounting
- μ The connector with connect nut that usually mated with connector which have locking screw

## Outline dimension



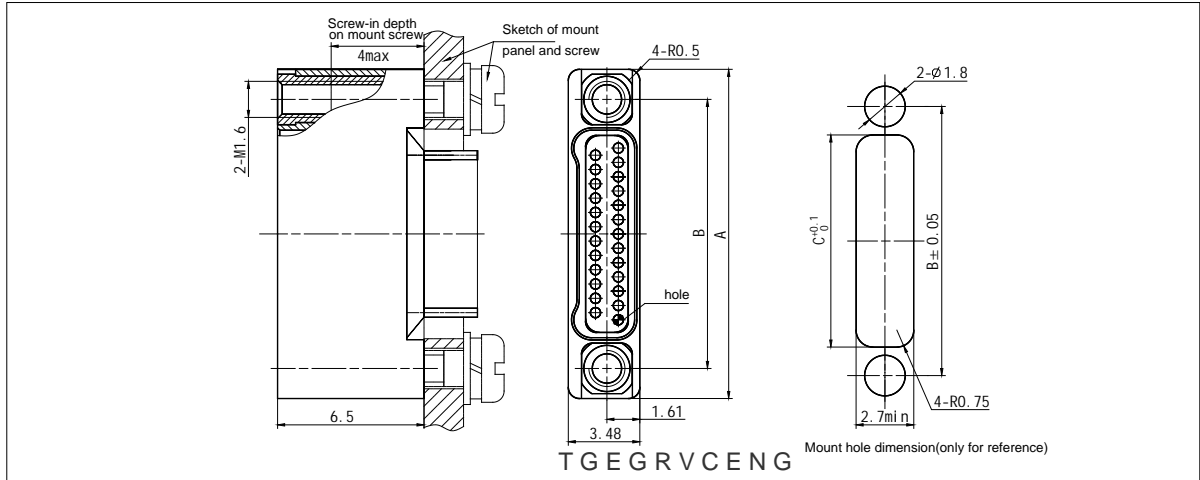
2KEW	KGBKE			2KEW	KGBKE			2KEW	KGBKE		
	#	\$	%		#	\$	%		#	\$	%
RKP				RKP				RKP			
RKP				RKP				RKP			
RKP				RKP				RKP			

Remark: All dimensions are in mm



## Vertical Mounted Crimp Series

### Outline dimension



2 KP EQ WPV & KOG PUKQP				2 KP EQ WPV & KOG PUKQP				2 KP EQ WPV & KOG PUKQP			
#	\$	%		#	\$	%		#	\$	%	
RKPU				RKPU				RKPU			
RKPU				RKPU				RKPU			
RKPU				RKPU				RKPU			

Remark: All dimensions are in mm





# Horizontal Mounted Crimp Series

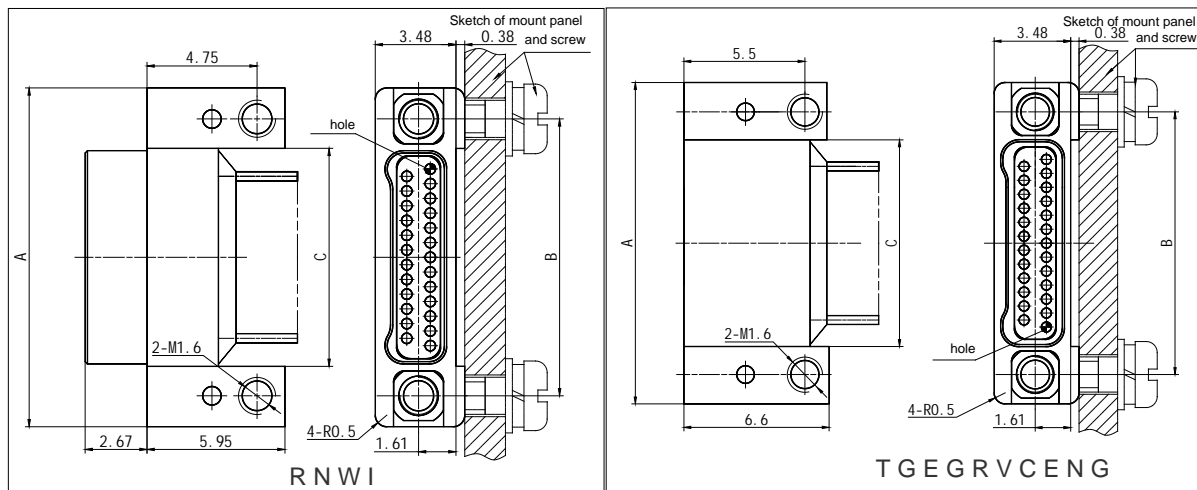
## Order marks

5GTKGU	4		%	3	RH	-TH	
%QPVCEV TQY							
M VQY TQYU							
5JGNN RNCVKPI							
M PKEMGN RNCVKPI							
%QPVCEV RNCVKPI							
M IQNF RNCVKPI							
6GTOKPCVKQP V[RG							RNWI
%M ETKOR							
/QWPVKPI UV[NG							
M JQTK\QPVCN OQWPGF							
%QPVCEV PWODGT							
Ä Ä Ä Ä Ä Ä Ä Ä							
%QPVCEV V[RG							
2+ M RKP KP RNWM UQEMGV KP TGEGRVCENG							
7DLO FRYHU							
M YKVJQWV VCKN EQXGT							
.QEMKPI V[RG							TGEGRVCENG
6*M EQPPGEV PWV							

### Remark

- µ Connector is horizontal mounted
- µ The connector with connect nut that usually mated with connector which have locking screw

## Outline dimension



2KP EQWPV	&KOGPUKQP			2KP EQWPV	&KOGPUKQP			2KP EQWPV	&KGPVKQP		
#	\$	%		#	\$	%		#	\$	%	
RKPU				RKPU				RKPU			
RKPU				RKPU				RKPU			
RKPU				RKPU				RKPU			

Remark: All dimensions are in mm



## Crimp Siamese Connection Series

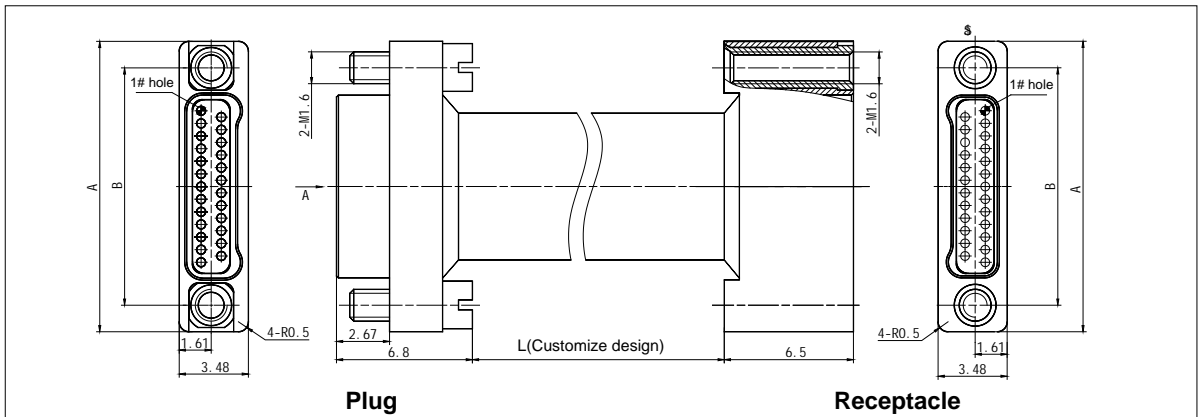
### Order marks

5GTKGU	4	% 4	PP
% QPVCEV TQY M VQY TQYU			
5JGNN RNCVKPI M PKEMGN RNCVKPI			
% QPVCEV RNCVKPI M IQNF RNCVKPI			
6GTOKPCVKQP V[RG % M ETKOR			
/QWPVKPI UV[NG 4 M ETKOR UKCOGUG			
% QPVCEV PWODGT Ä Ä Ä Ä Ä Ä Ä Ä			
% QPVCEV V[RG 22M RNWI KPVGTEQPPGEV RNWI 25M RNWI KPVGTEQPPGEV TGEGRVCENG 55M TGEGRVCENG KPVGTEQPPGEV TGEGRVCENG			
			PP
			PS

#### Remark

- µ The matching locking component for this series is single form. (1) Plug with locking screw (2) Receptacle with locking nut

### Outline dimension



2 KP EQ WPV		& KOG PUKQP		2 KP EQ WPV		& KOG PUKQP		2 KP EQ WPV		& KOG PUKQP	
#	\$	#	\$	#	\$	#	\$	#	\$	#	\$
RKPU				RKPU				RKPU			
RKPU				RKPU				RKPU			
RKPU				RKPU				RKPU			

Remark: All dimensions are in mm



# Nut Mounted Crimp Receptacle with Guid Hole Series

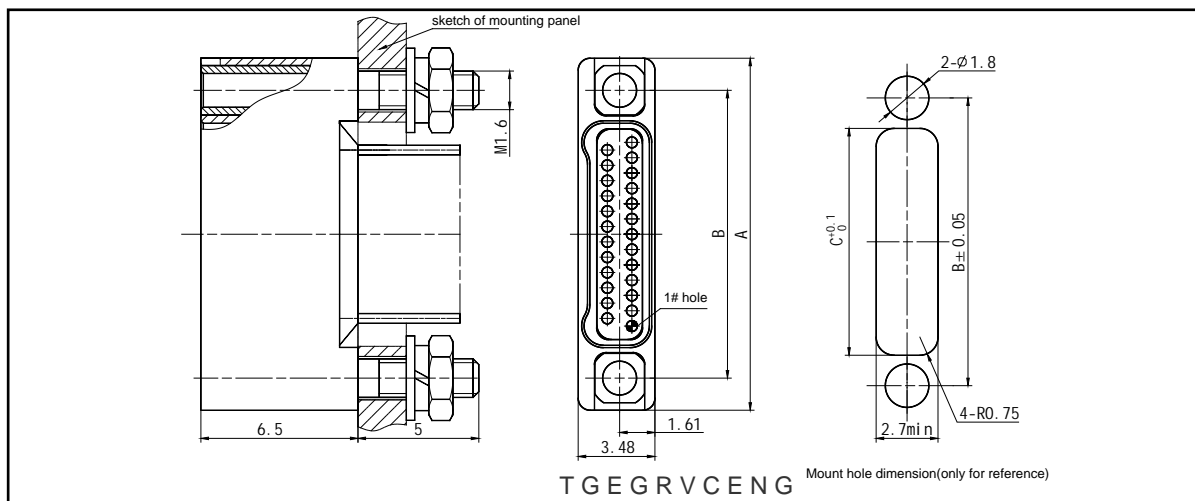
## Order marks

5GTKGU	4		%		RH	-TH	
%QPVCEV TQY							
M VQY TQYU							
5JGNN RNCVKPI							
M PKEMGN RNCVKPI							
%QPVCEV RNCVKPI							
M IQNF RNCVKPI							
6GTOKPCVKQP V[RG							
%M ETKOR							
/QWPVKPI UV[NG							
5 — nut mounted							
%QPVCEV PWODGT							
Ä Ä Ä Ä Ä Ä Ä Ä							
%QPVCEV V[RG							
4*M UQEMGV KP TGEGRVCENG							
7DLO FRYHU							
M YKVVQWV VCKN EQXGT							
.QEMKPI V[RG							
NH— guide hole with nut mounted							
							RH

### Remark

μ Connector with guid hole, usually mated with plug which have guid pin

## Outline dimension



2KP EQWPV	&KOGPUKQP			2KP EQWPV	&KOGPUKQP			2KP EQWPV	&KGPVKQP		
#	\$	%		#	\$	%		#	\$	%	
RKPU				RKPU				RKPU			
RKPU				RKPU				RKPU			
RKPU				RKPU				RKPU			

Remark: All dimensions are in mm



## Floating Mounted Crimp Plug Series

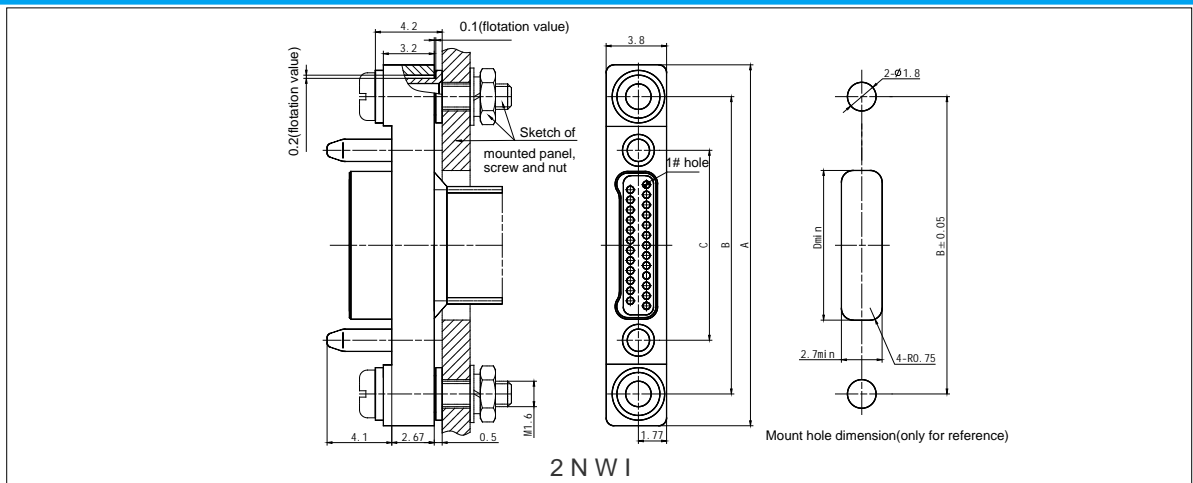
### Order marks

5GTKGU	4		% 7	PI	-00	PI
%QPVCEV TQY						
M VQY TQYU						
5JGNN RNCVKPI						
M PKEMGN RNCVKPI						
%QPVCEV RNCVKPI						
M IQNF RNCVKPI						
6GTOKPCVKQP V[RG						
%M ETKOR						
/QWPVKPI UV[NG						
7 — floating mounted						
%QPVCEV PWODGT						
Ä Ä Ä Ä Ä Ä Ä Ä						
%QPVCEV V[RG						
4*M UQEMGV KP TGEGRVCENG						
7DLO FRYHU						
M YKVJQWV VCKN EQXGT						
.QEMKPI V[RG						
00 — without locking component						

### Remark

- μ Connector with guid pin and floating tube, application on blind-mated connector
- μ Connector usually mated with receptacle which have guid hole

### Outline dimension



2KP EQWPV	&KOGPUKQP				2KP EQWPV	&KOGPUKQP			
	#	\$	%	&		#	\$	%	&
RKPU					RKPU				
RKPU					RKPU				
RKPU					RKPU				
RKPU					RKPU				
RKPU					RKPU				

Remark: All dimensions are in mm



## Free Mounted Crimp Connector with Tail Cover Series

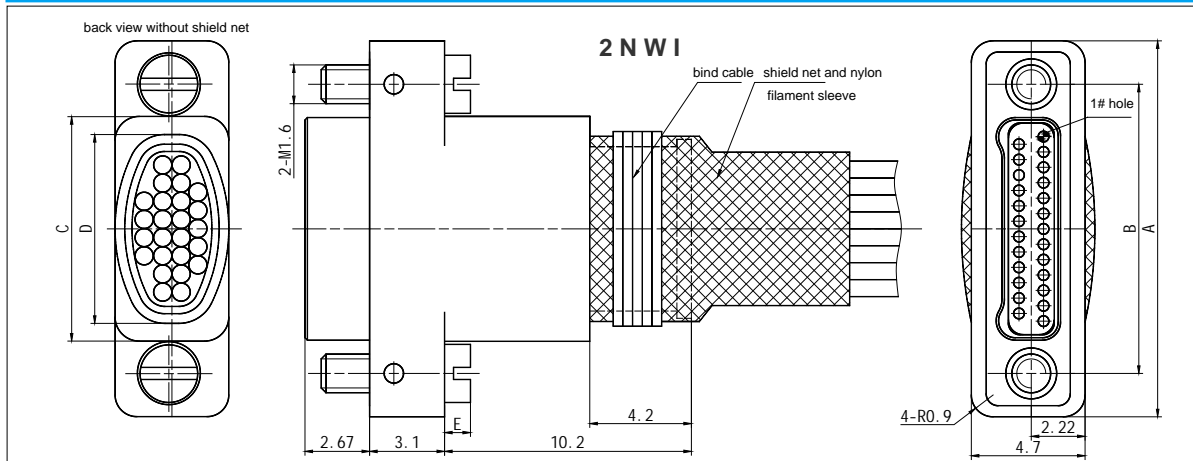
### Order marks

5G T K G U	4	%	PI	-JC	2+
% Q P V C E V T Q Y					
M V Q Y T Q Y U					
5 J G N N R N C V K P I					
M P K E M G N R N C V K P I					
% Q P V C E V R N C V K P I					
M I Q N F R N C V K P I					
6 G T O K P C V K Q P V [ R G					
% M E T K O R					
/ Q W P V K P I U V [ N G					
M H T G G O Q W P V G F					
% Q P V C E V P W O D G T					
Å Å Å Å Å Å Å Å					
% Q P V C E V V [ R G					
2+ M R K P K P R M W M U Q E M G V K P T G E G R V C E N G					
7 D L O F R Y H U					
M Y K V J V C K N E Q X G T					
. Q E M K P I V [ R G					
JC— locking screw(straight slot, E dimension=1mm)					
JC1— locking screw(hex, not recommend , E dimension=1.6mm)					
					RH

### Remark

- Connector with integrated tail cover,bind shielding net on tail cover,shield whole connector,tail cover non-removable
- Connector is free mounted,not fixed,usually mated with connector which have nut
- Recommended JC(straight slot screw) types of screws,tight by miniature straight screwdriver
- When choose JC1(hex) type of screws,tight by 1.27mm subtense hex screwdriver.

### Outline dimension

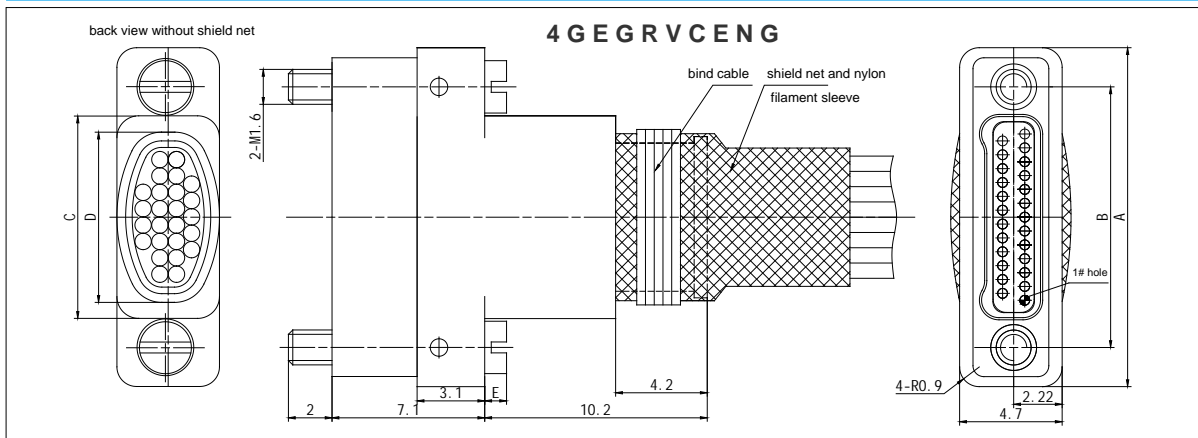


2KE00	KGBK0				2KE00	KGBK0			
	#	\$	%	&		#	\$	%	&
RKB					RKB				
RKB					RKB				
RKB					RKB				
RKB					RKB				
RKB					RKB				

Remark: All dimensions are in mm



### Outline dimension



2 KP EQ WPV		& KOG PUKQP			2 KP EQ WPV		& KOG PUKQP		
	#	\$	%	&		#	\$	%	&
RKPU					RKPU				
RKPU					RKPU				
RKPU					RKPU				
RKPU					RKPU				
RKPU					RKPU				

Remark: All dimensions are in mm



# Vertical Mounted Crimp Connector with Tail Cover Series

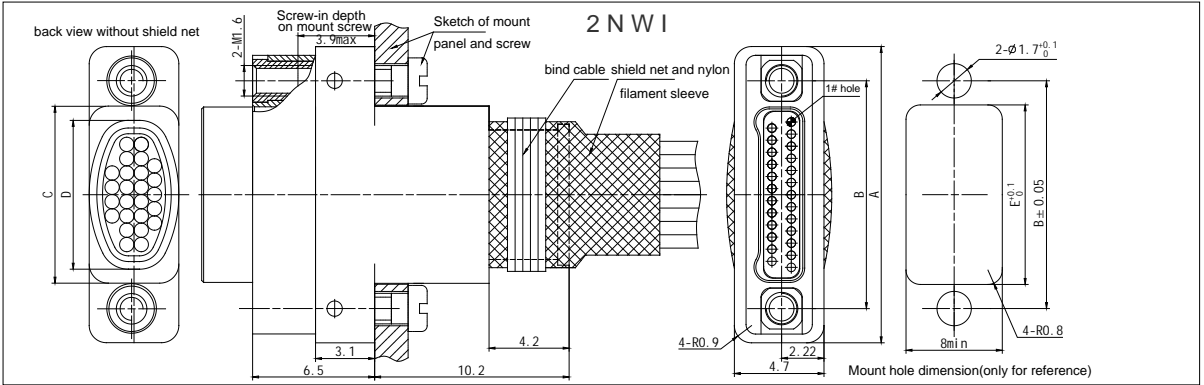
## Order marks

5GTKGU	4	%	RH	-TH	
%QPVCEV TQY					
M VQY TQYU					
5JGNN RNCVKPI					
M PKEMGN RNCVKPI					
%QPVCEV RNCVKPI					
M IQNF RNCVKPI					
6GTOKPCVKQP V[RG					2+
%M ETKOR					
/QWPKPI UV[NG					
M XGTVKECN OQWVGF					
%QPVCEV PWODGT					
Ä Ä Ä Ä Ä Ä Ä Ä					
%QPVCEV V[RG					
2+ M RKP KP RMWUQEMGV KP TGEGRVCENG					
7DLO FRYHU					RH
M YKVJ VCKN EQXGT					
.QEMKPI V[RG					
6*M EQPPGEV PWV					

### Remark

- Connector with integrated tail cover,bind shielding net on tail cover,shield whole connector,tail cover non-removable
- Connector usually mated with connector which have screw
- As these series connector limited by dimension,it can't use standard M1.6mm screw,so we provide special-made M1.6\*6 mounted screw.

## Outline dimension



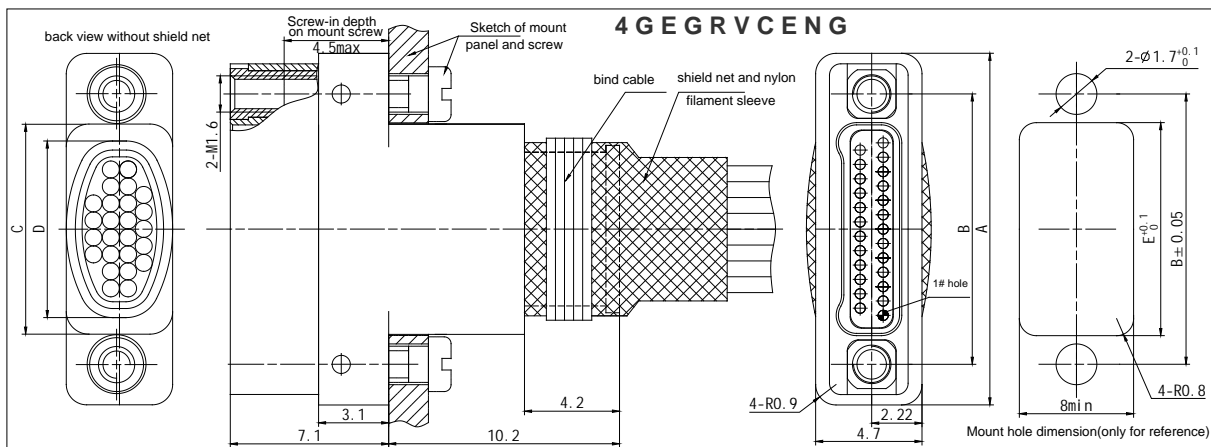
2KP EQWPV		&KOGPUKQP					2KP EQWPV		&KOGPUKQP					
#	\$	%	&	'		#	\$	%	&	'				
RKPU						RKPU								
RKPU						RKPU								
RKPU						RKPU								
RKPU						RKPU								
RKPU						RKPU								

Remark: All dimensions are in mm





### Outline dimension



2 KP EQ WPV		& KOG PUKQP					2 KP EQ WPV		& KOG PUKQP				
	#	\$	%	&	'		#	\$	%	&	'		
R K P U						R K P U							
R K P U						R K P U							
R K P U						R K P U							
R K P U						R K P U							
R K P U													

Remark: All dimensions are in mm



## Horizontal Mounted Crimp Connector with Tail Cover Series

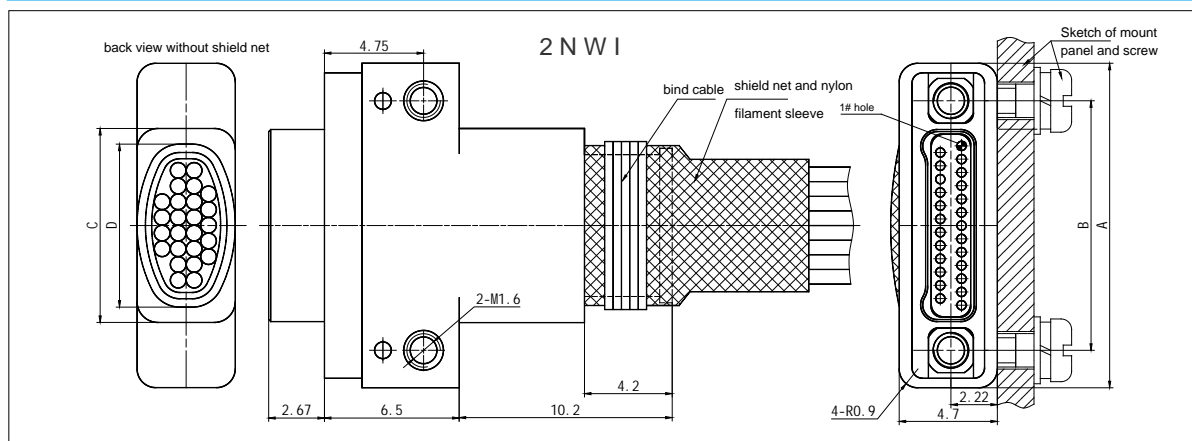
### Order marks

5G TKG U	4	%	3	RH	-TH	
% QPVCEV TQY						
M VQY TQYU						
5J GNN RNCVKPI						
M PKEMGN RNCVKPI						
% QPVCEV RNCVKPI						
M IQNF RNCVKPI						
6GTOKPCVKQP V[RG						2+
% M ETKOR						
/QWPKPI UV[NG						
M JQTK\QPVCN OQWVGF						
% QPVCEV PWODGT						
Å Å Å Å Å Å Å Å						
% QPVCEV V[RG						
2+ M RKP KP RMWU UQEMGV KP TGEGRVCENG						
7DLO FRYHU						RH
M YKVJ VCKN EQXGT						
.QEMKPI V[RG						
6*M EQPPGEV PWV						

#### Remark

- ▣ Connector with integrated tail cover,bind shielding net on tail cover,shield whole connector,tail cover non-removable
- ▣ Connector usually mated with connector which have screw

### Outline dimension

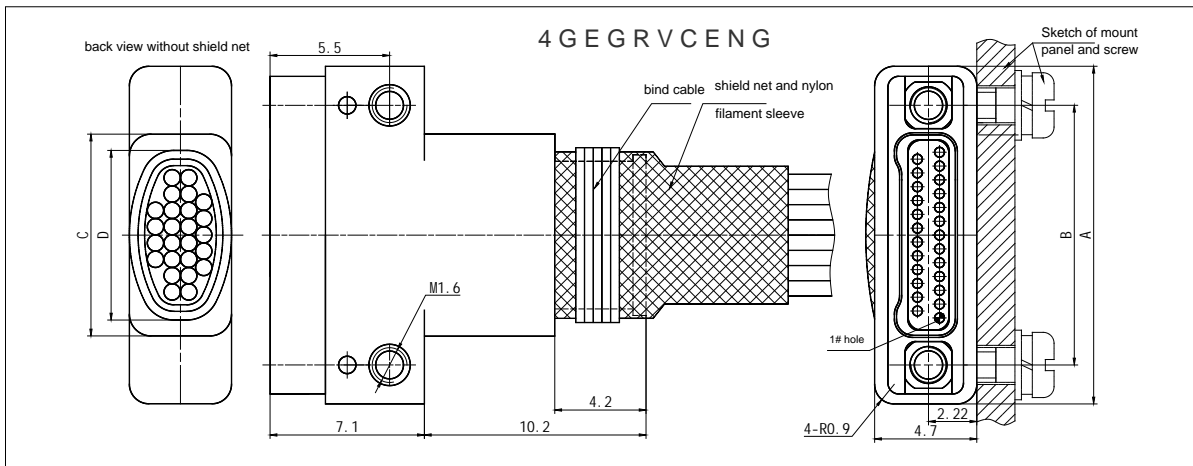


2KP EQWPV #	&KOGPUKQP			2KP EQWPV #	&KOGPUKQP		
	\$	%	&		\$	%	&
RKPU				RKPU			
RKPU				RKPU			
RKPU				RKPU			
RKPU				RKPU			
RKPU				RKPU			

Remark: All dimensions are in mm



### Outline dimension



2 KP EQ WPV		&KOGPUKQP			2 KP EQ WPV		&KOGPUKQP		
	#	\$	%	&		#	\$	%	&
RKPU					RKPU				
RKPU					RKPU				
RKPU					RKPU				
RKPU					RKPU				
RKPU					RKPU				

Remark: All dimensions are in mm



# MIL-DTL-32139 Nano D-sub Connectors

## R06 Straight to PCB Series

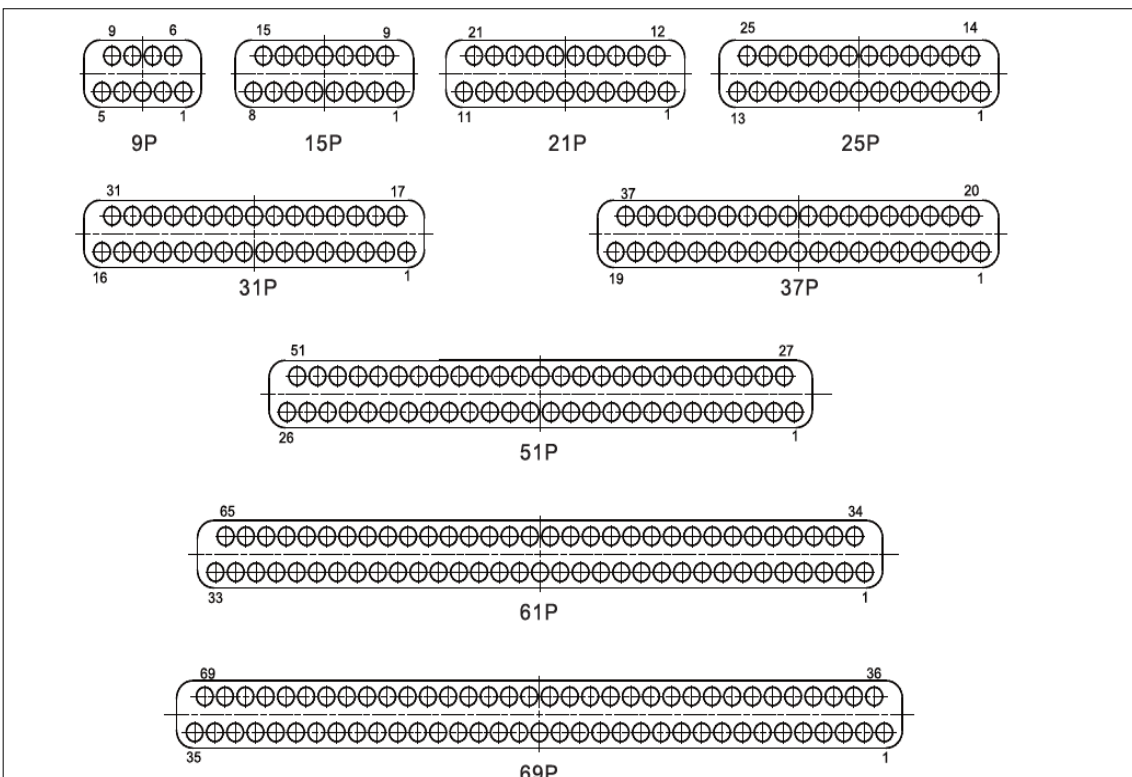
### Brief introduction

- ✓ Contacts: 9, 15, 21, 25, 31, 37, 51, 65, 69
- ✓ Twist flexible micro pin (twist pin), 0.635mm pitch, micro miniature outline dimension
- ✓ Screw nut locking, it is gently when insert and extract, stably locked
- ✓ It is used for all kinds for electric circuit system interconnection which have high density, micro, light, highly reliable requirement, it can meet light and miniaturize demand
- ✓ Plug with twist pin, receptacle with socket, free terminal with locking screw, fixed terminal with nut, standard mated connector locked by screw and nut
- ✓ Standard: MIL-DTL-32139
- ✓ Undefined tolerance is  $\pm 0.13$

### Specification

- |  |       |                          |           |
|--|-------|--------------------------|-----------|
| ✓ Environment:   | X     | ✓ Contact resistance:    | A »       |
| ✓ Vibration:   | ■     | ✓ Insulation resistance: | * » B     |
| ✓ Shock:   | I O D | ✓ Dielectric strength:   | 250V      |
| ✓ Rated current:   | 1A    | ✓ Machine life:          | 200 times |
| ✓ Random vibration: power spectrum density 0.4G /Hz, r.m.s value of total acceleration 23.1G |       |                          |           |

### Contact layout



Marked: The above layout is view from plug mate side end face



# R06 Straight to PCB Plug Series

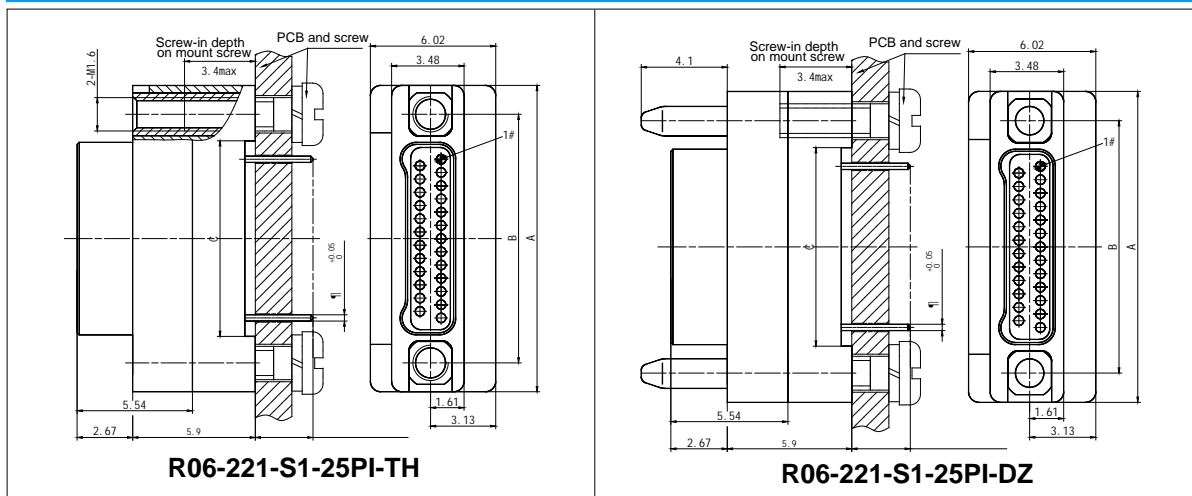
## Order marks

5GTKGU	4	5	2+	6*	R06-221-S1-25PI-TH
%QPVCEV TQY	M VQY TQYU				
5JGNN RNCVKPI	M PKEMGN RNCVKPI				
%QPVCEV RNCVKPI	M IQNF RNCVKPI				
6CKN VGTOKPCVKQP V[RG	5M UVTCKIJV VQ RED				
6CKN NGPIVJ	M OO M OO M OO				
%QPVCEV PWODGT	Ä Ä Ä Ä Ä Ä Ä Ä				R06-221-S1-25PI-DZ
%QPVCEV V[RG	2+ M RKP KP RNWI				
.QEMKPI V[RG	&<M IWKFG R6PM EQPPGEV PWV				

### Remark

- ▣ R06-221-S\*-\*\*PI-TH usually mated with receptacle which have locking screw, R06-221-S\*-\*\*PI-DZ usually mated with receptacle which have guide hole
- ▣ 3 kinds of tail length, customized produce for other length

## Outline dimension

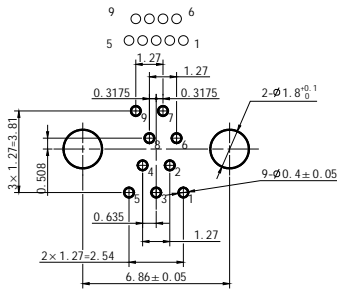
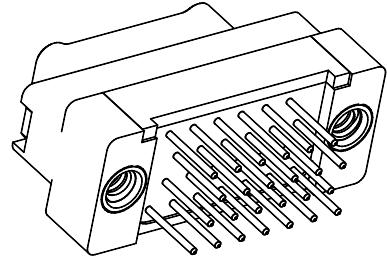
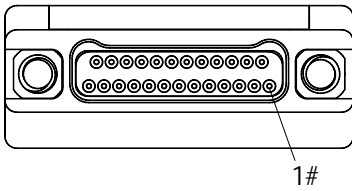


2 KP EQ WPV			&KOGPUKQP			2 KP EQ WPV			&KOGPUKQP			2 KP EQ WPV			&KGPVKQP		
#	\$	%	#	\$	%	#	\$	%	#	\$	%	#	\$	%	#	\$	%
RKPU			RKPU			RKPU			RKPU			RKPU			RKPU		
RKPU			RKPU			RKPU			RKPU			RKPU			RKPU		
RKPU			RKPU			RKPU			RKPU			RKPU			RKPU		

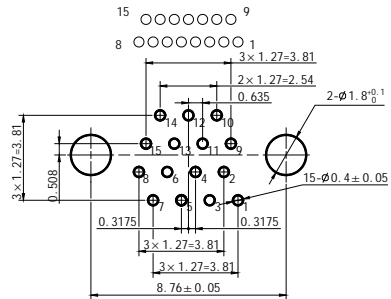
Remark: All dimensions are in mm



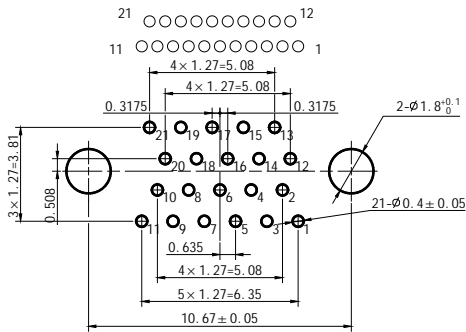
## Suggested PCB Layout



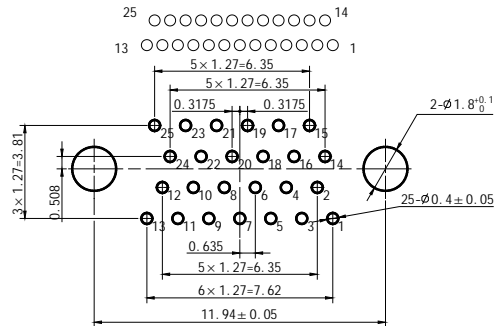
**R06-221-S1/S2/S3-9PI-TH**



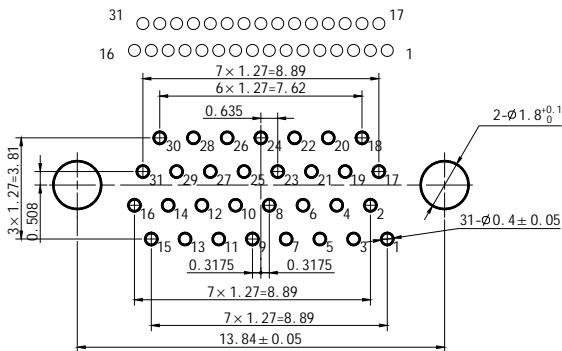
**R06-221-S1/S2/S3-15PI-TH**



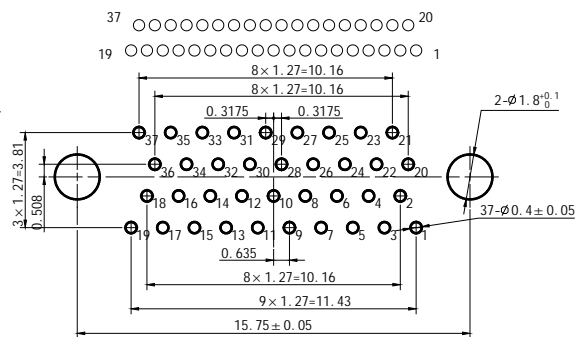
**R06-221-S1/S2/S3-21PI-TH**



**R06-221-S1/S2/S3-25PI-TH**



**R06-221-S1/S2/S3-31PI-TH**

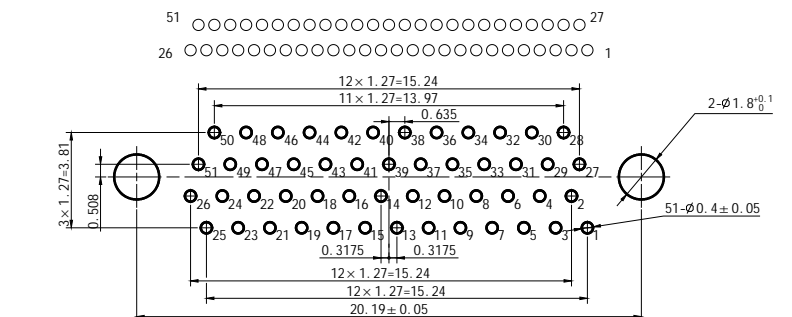
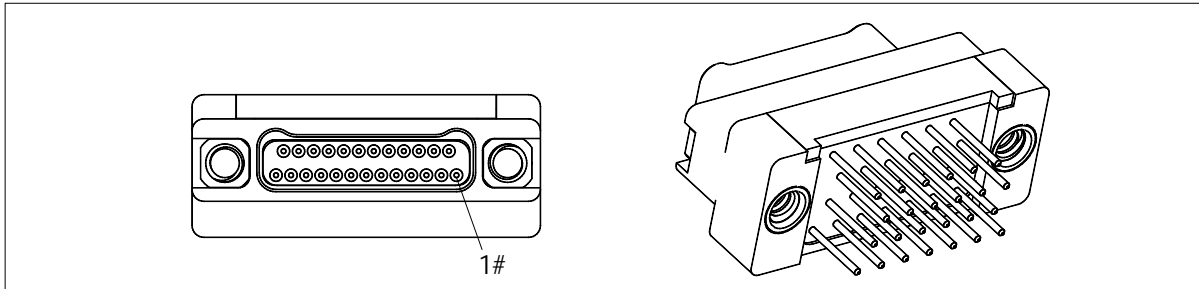


**R06-221-S1/S2/S3-37PI-TH**

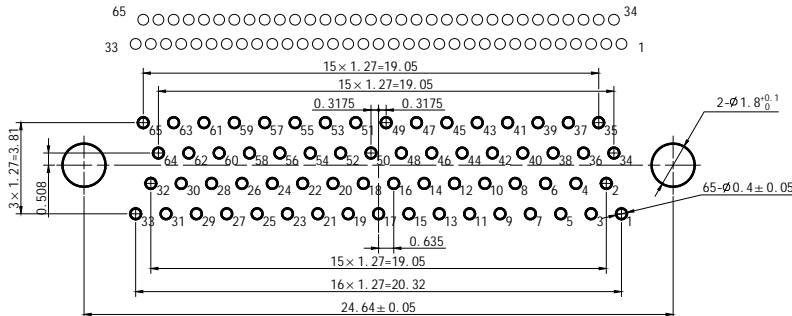
Remark: All dimensions are in mm



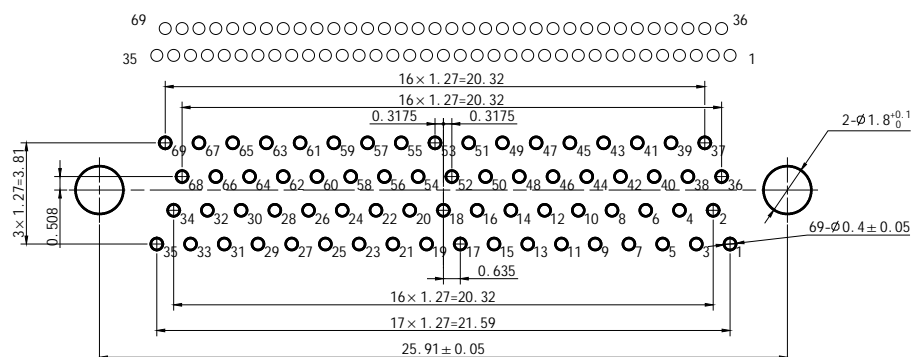
### Suggested PCB Layout



**R06-221-S1/S2/S3-51PI-TH**



**R06-221-S1/S2/S3-65PI-TH**



**R06-221-S1/S2/S3-69PI-TH**

Remark: All dimensions are in mm





# R06 Straight to PCB Receptacle Series

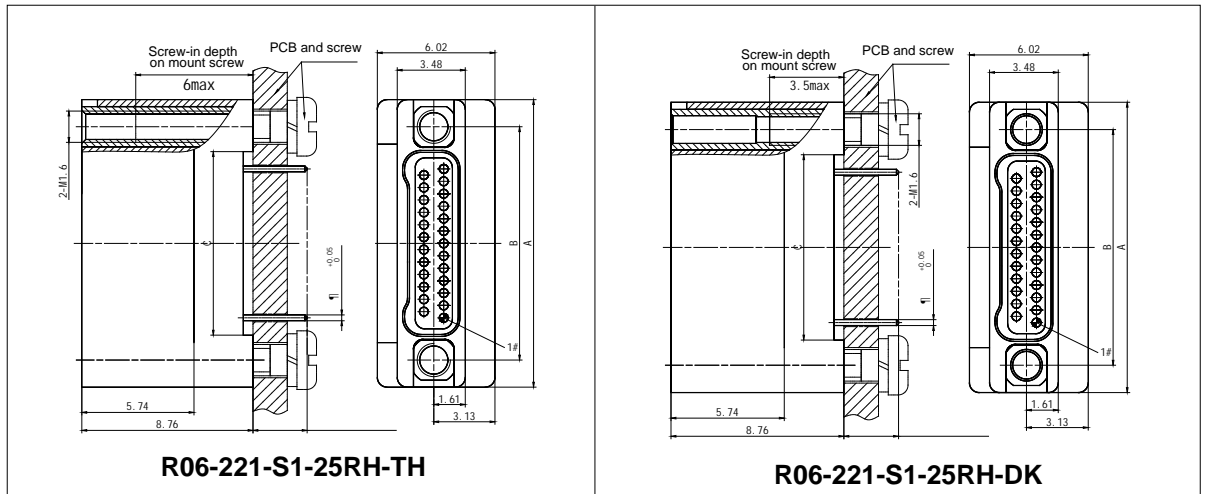
## Order marks

5G TKGU	4	5	RH	6*	R06-221-S1-25RH-TH
% QPVCEV TQY	M VQY TQYU				
5JGNN RNCVKPI	M PKEMGN RNCVKPI				
% QPVCEV RNCVKPI	M IQNF RNCVKPI				
6CKN VGTOKPCVKQP V[RG	5M UVTCKIJV VQ RED				
6CKN NGPIVJ	M OO M OO M OO				
% QPVCEV PWODGT	Ä Ä Ä Ä Ä Ä Ä Ä				R06-221-S1-25RH-DK
% QPVCEV V[RG	4*M UQEMGV KP TGEGRVCENG				
.QEMKPI V[RG					
DK M IWKFG JQNGM EQPPGEV PWV					

### Remark

- μ R06-221-S\*-\*\*RH-TH usually mated with plug which have locking screw, R06-221-S\*-\*\*PI-DK usually mated with plug which have guide pin
- μ 3 kinds of tail length, customized produce for other length

## Outline dimension

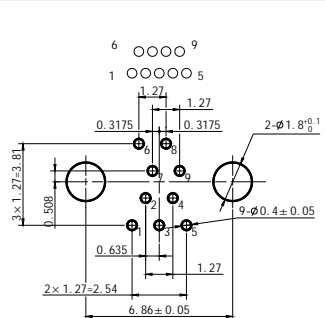
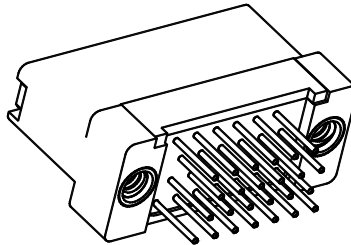
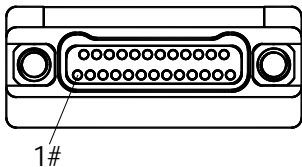


2 KP EQ WPV # & KOG PUKQP			2 KP EQ WPV # & KOG PUKQP			2 KP EQ WPV # & KOG PUKQP		
#	\$	%	#	\$	%	#	\$	%
RKPU			RKPU			RKPU		
RKPU			RKPU			RKPU		
RKPU			RKPU			RKPU		

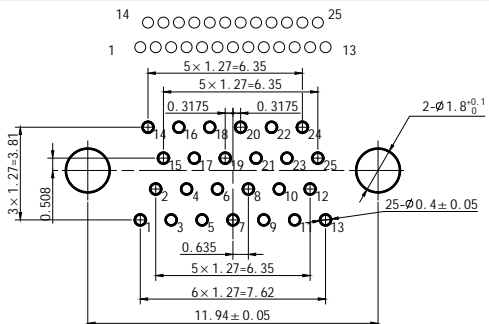
Remark: All dimensions are in mm



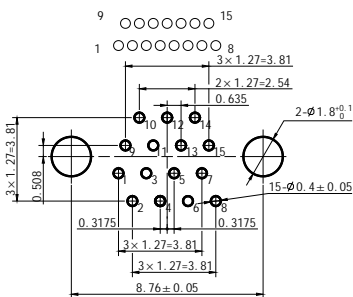
### Suggested PCB Layout



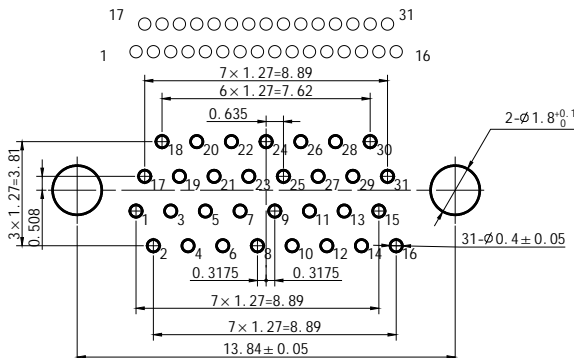
**R06-221-S1/S2/S3-9RH-TH**



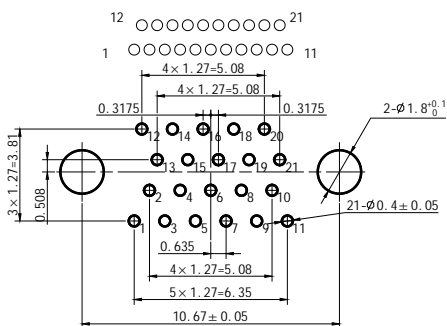
**R06-221-S1/S2/S3-25RH-TH**



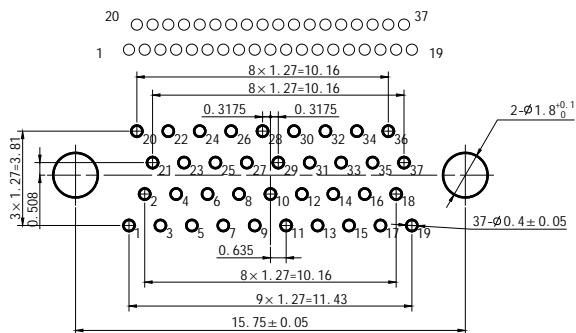
**R06-221-S1/S2/S3-15RH-TH**



**R06-221-S1/S2/S3-31RH-TH**



**R06-221-S1/S2/S3-21RH-TH**

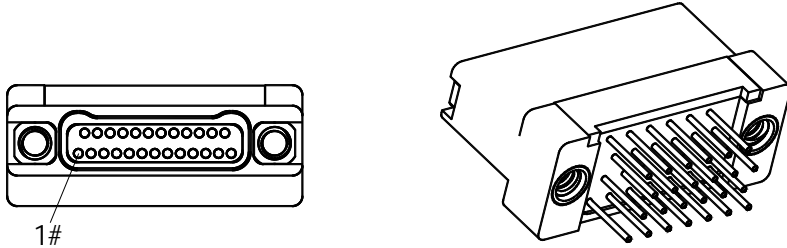


**R06-221-S1/S2/S3-37RH-TH**

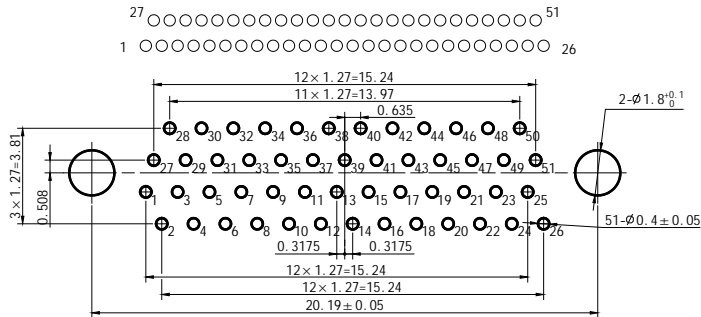
Remark: All dimensions are in mm



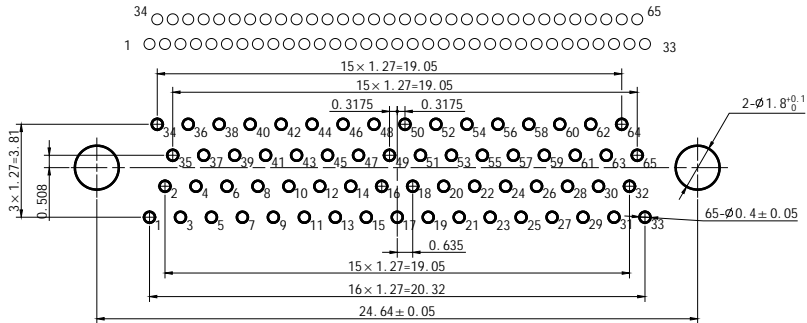
## Suggested PCB Layout



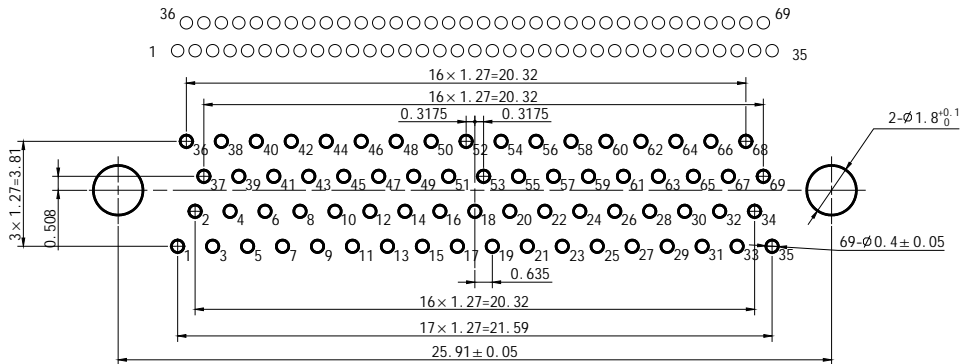
1#



**R06-221-S1/S2/S3-51RH-TH**



**R06-221-S1/S2/S3-65RH-TH**



**R06-221-S1/S2/S3-69RH-TH**

Remark: All dimensions are in mm

